

**BP Series
Pneumatic Actuator**





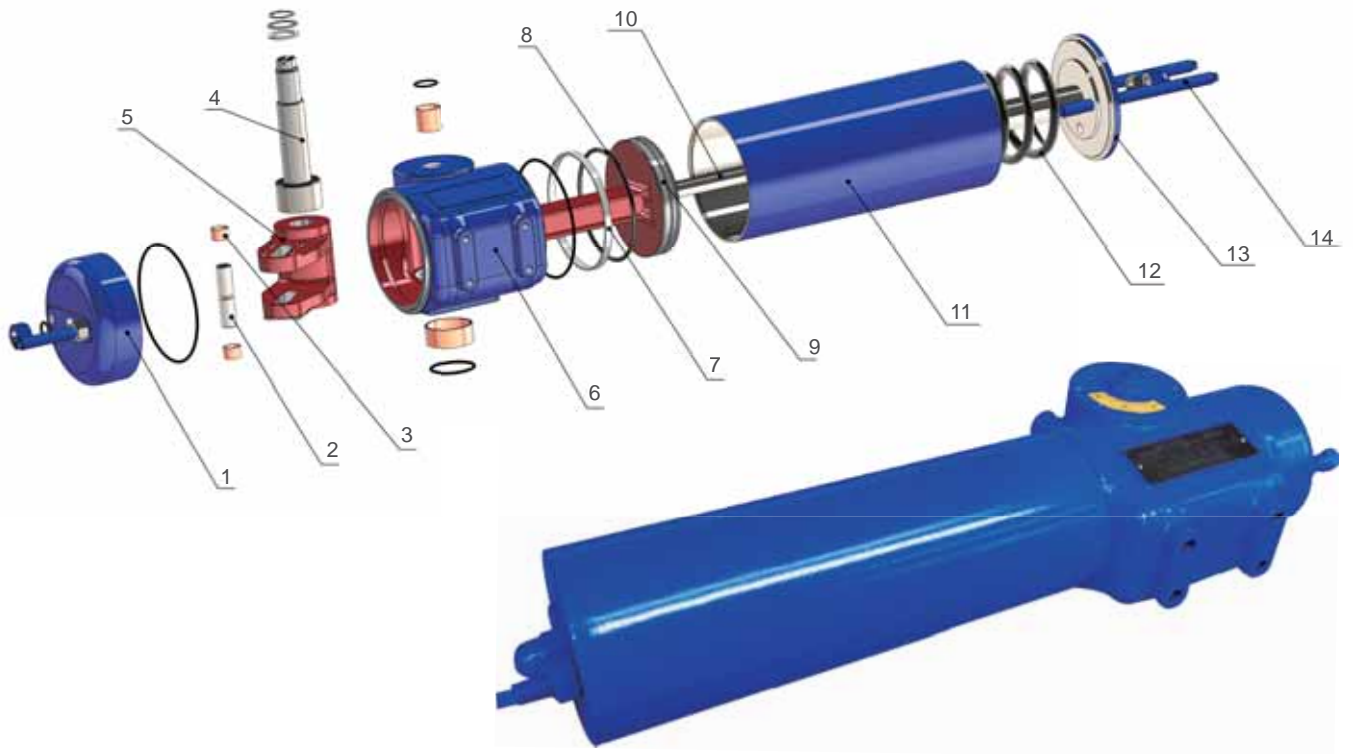
About Us

Bloomfoss, an Actuator and Automation Control Manufacturer that has been providing Quality and Reliable products and solution.

Our products serve multiple industries from Marine, Offshore, Petrochemical, Refinery, Power, and Oil Storages.

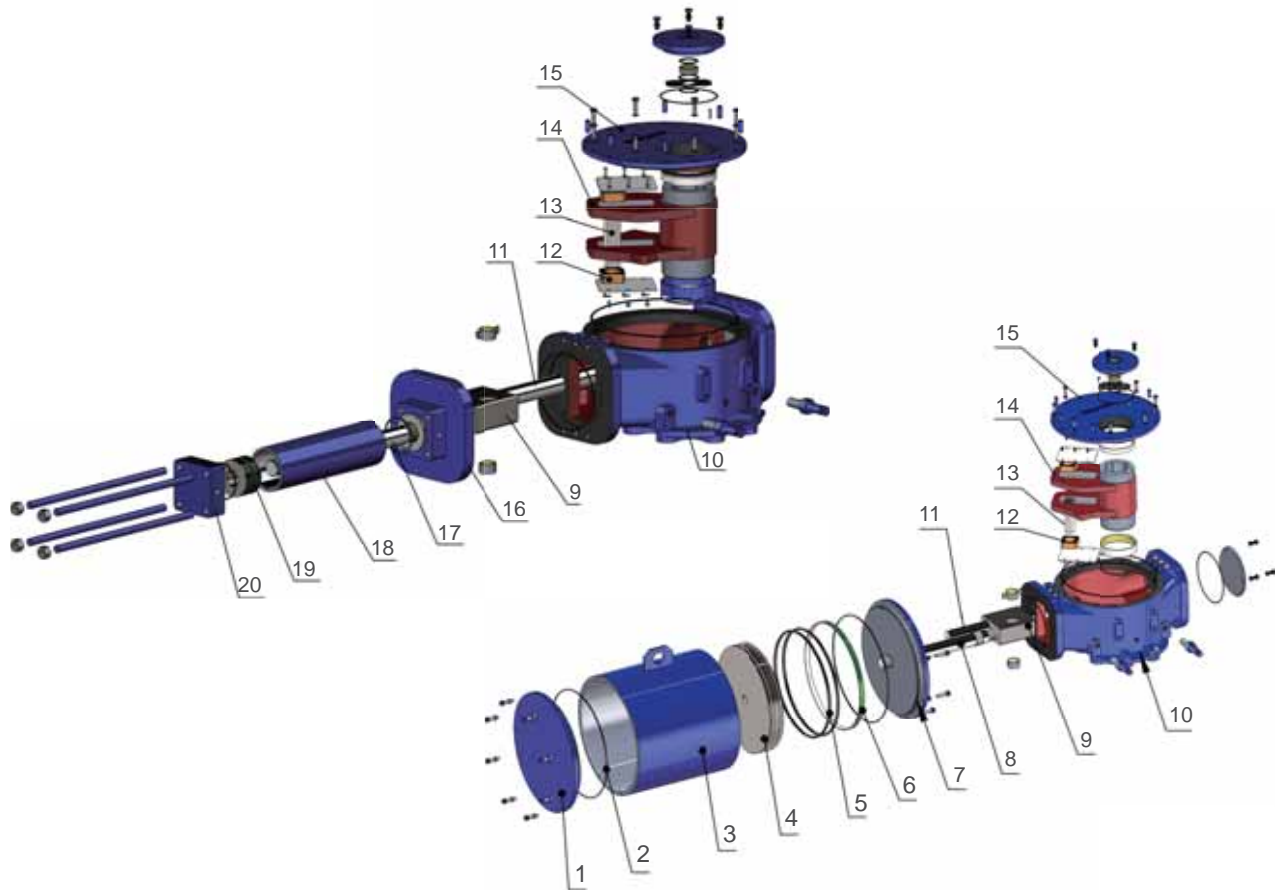
With increasing expectation demands from customer, we continuously improved our products quality through extensive Research & Development capability and unrivalled technical support.

Parts and Materials



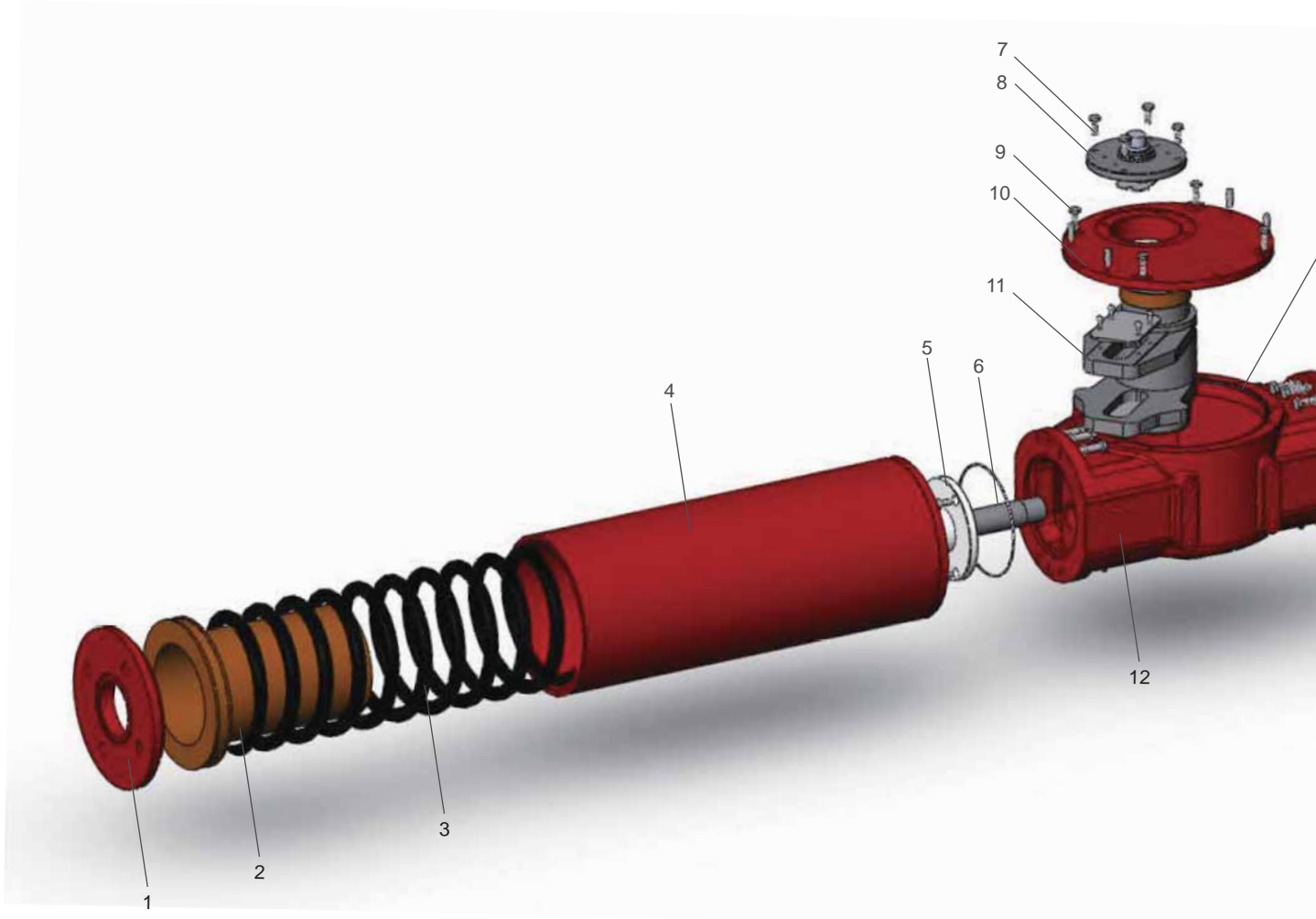
| No. | Name | Qty. | Material | Optional |
|-----|-----------------------|------|--------------|-----------------|
| 1 | End Cap | 1 | Ductile Iron | Carbon Steel |
| 2 | Yoke Pin | 1 | Alloy Steel | |
| 3 | Bearing | 2 | Steel & PTFE | |
| 4 | Shaft | 1 | Carbon Steel | |
| 5 | Yoke | 1 | Ductile Iron | Carbon Steel |
| 6 | Center Body | 1 | Ductile Iron | Carbon Steel |
| 7 | Guide Ring | 1 | Resin | |
| 8 | O-Ring | 2 | NBR | HNBR, VMQ, FVMQ |
| 9 | Piston | 1 | Ductile Iron | Carbon Steel |
| 10 | Guide Rod | 1 | Alloy Steel | |
| 11 | Cylinder | 1 | Carbon Steel | |
| 12 | Spring | 1 | Spring Steel | |
| 13 | Cylinder Cap | 1 | Ductile Iron | Carbon Steel |
| 14 | Stop Adjustment Screw | 2 | Carbon Steel | |

Parts and Materials



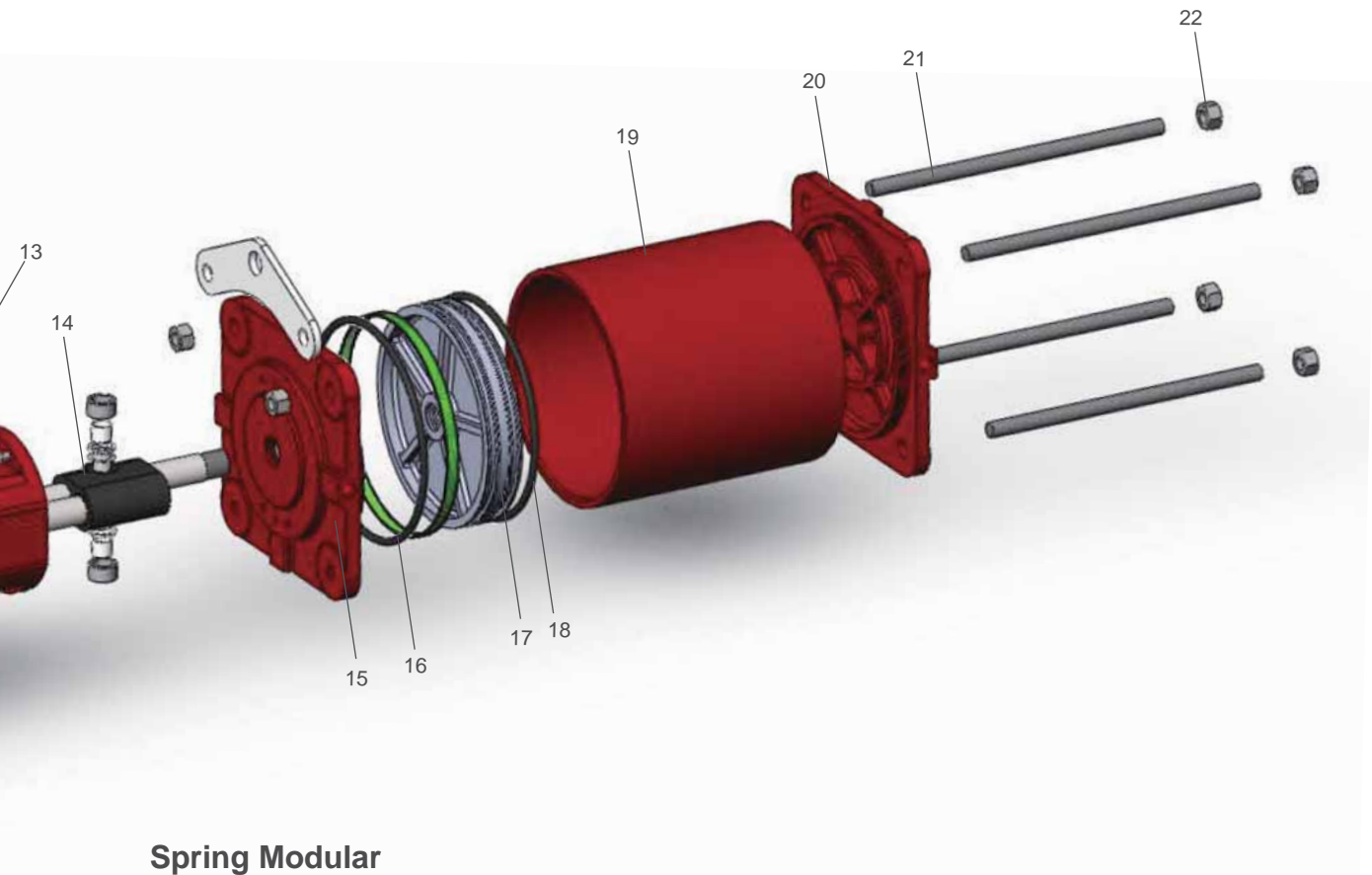
| No. | Name | Qty. | Material | Optional |
|-----|---------------------------|------|--------------|-----------------|
| 1 | Cylinder Cap | 1 | Ductile Iron | Carbon Steel |
| 2 | O-ring | 2 | NBR | HNBR, VMQ, FVMQ |
| 3 | Cylinder | 1 | Carbon Steel | |
| 4 | Piston | 1 | Ductile Iron | Carbon Steel |
| 5 | O-ring | 2 | NBR | HNBR, VMQ, FVMQ |
| 6 | Guide Ring | 1 | Resin | |
| 7 | Cylinder Seat | 1 | Ductile Iron | Carbon Steel |
| 8 | Piston Rod | 1 | Alloy Steel | |
| 9 | Guide Block | 1 | Alloy Steel | |
| 10 | Center Body | 1 | Ductile Iron | Carbon Steel |
| 11 | Guide Rod | 1 | Alloy Steel | |
| 12 | Bearing | 2 | Steel & PTFE | |
| 13 | Yoke Pin | 1 | Alloy Steel | |
| 14 | Yoke | 1 | Ductile Iron | Carbon Steel |
| 15 | Center Body Cap | 1 | Ductile Iron | Carbon Steel |
| 16 | Cylinder Seat (Hydraulic) | 1 | Carbon Steel | |
| 17 | Piston Rod (Hydraulic) | 1 | Carbon Steel | |
| 18 | Cylinder (Hydraulic) | 1 | Carbon Steel | |
| 19 | Piston (Hydraulic) | 1 | Carbon Steel | |
| 20 | Cylinder Cap (Hydraulic) | 1 | Carbon Steel | |

Parts and Materials



Centre Body Modular

| Item | Name | Qty. | Material |
|------|-----------------|------|--------------|
| 6 | Spring Stem | 1 | Carbon Steel |
| 7 | Screw | n | Carbon Steel |
| 8 | Indicator | 1 | Carbon Steel |
| 9 | Screw | n | Carbon Steel |
| 10 | Centre Body Cap | 1 | Ductile Iron |
| 11 | Yoke | 1 | Ductile Iron |
| 12 | Centre Body | 1 | Ductile Iron |
| 13 | Cap O-ring | 1 | Rubber |
| 14 | Guide Block | 1 | Alloy Steel |



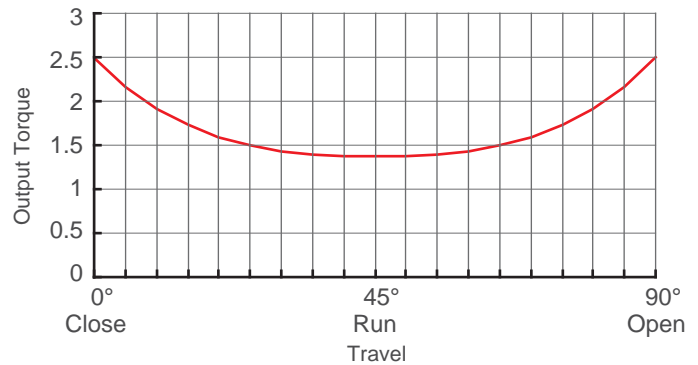
Spring Modular

| Item | Name | Qty. | Material |
|------|-------------|------|--------------|
| 1 | Tank Cap | 1 | Carbon Steel |
| 2 | Spring Seat | 1 | Carbon Steel |
| 3 | Spring | 1 | Spring Steel |
| 4 | Spring Tank | 1 | Carbon Steel |
| 5 | Bear Seat | 1 | Alloy Steel |

Cylinder Modular

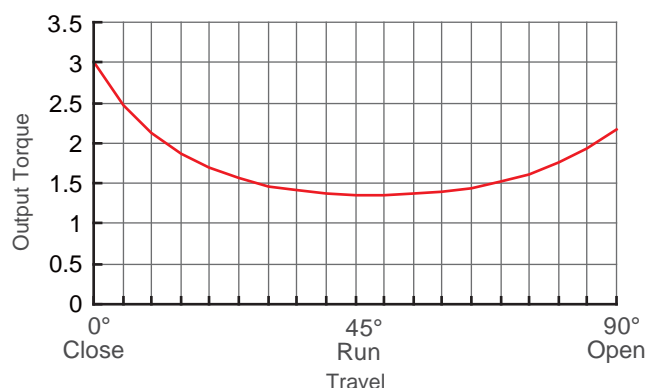
| Item | Name | Qty. | Material |
|------|---------------|------|--------------|
| 15 | Cylinder Seat | 1 | Ductile Iron |
| 16 | O-Ring | 1 | Rubber |
| 17 | Piston | 1 | Carbon Steel |
| 18 | Guide Ring | 1 | Resin |
| 19 | Cylinder | 1 | Carbon Steel |
| 20 | Cylinder Cap | 1 | Ductile Iron |
| 21 | Screw | n | Carbon Steel |
| 22 | Screw Nut | n | Carbon Steel |

Output Torque of BP-B Series Double Acting Actuator



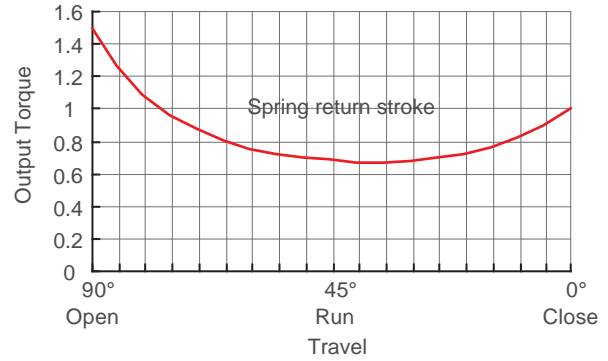
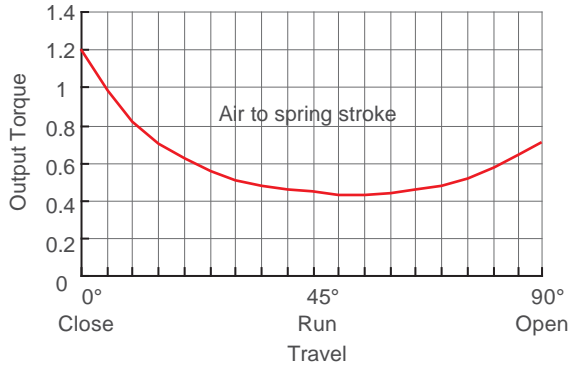
| Model | Output Torque (Nm) Air Pressure (Mpa) | | | | | | | | | | | |
|---------------|---------------------------------------|--------|--------|--------|--------|--------|--------|--------|--------|--------|--------|--------|
| | 0.35 | | | 0.4 | | | 0.5 | | | 0.6 | | |
| | 0° | 45° | 90° | 0° | 45° | 90° | 0° | 45° | 90° | 0° | 45° | 90° |
| BP-B04-125-DA | 384 | 222 | 384 | 439 | 253 | 439 | 549 | 317 | 549 | 659 | 380 | 659 |
| BP-B05-160-DA | 728 | 417 | 728 | 832 | 477 | 832 | 1041 | 596 | 1041 | 1249 | 715 | 1249 |
| BP-B06-201-DA | 1269 | 670 | 1269 | 1451 | 766 | 1451 | 1814 | 958 | 1814 | 2154 | 1138 | 2154 |
| BP-B08-221-DA | 2000 | 1056 | 2000 | 2286 | 1207 | 2286 | 2857 | 1509 | 2857 | 3428 | 1810 | 3428 |
| BP-B08-251-DA | 2599 | 1372 | 2599 | 2970 | 1568 | 2970 | 3712 | 1960 | 3712 | 4455 | 2352 | 4455 |
| BP-B1-281-DA | 3836 | 2026 | 3836 | 4384 | 2315 | 4384 | 5480 | 2894 | 5480 | 6576 | 3473 | 6576 |
| BP-B1-321-DA | 5035 | 2659 | 5035 | 5754 | 3039 | 5754 | 7193 | 3798 | 7193 | 8631 | 4558 | 8631 |
| BP-B1-351-DA | 6039 | 3189 | 6039 | 6902 | 3644 | 6902 | 8627 | 4556 | 8627 | | | |
| BP-B2-351-DA | 7193 | 3798 | 7193 | 8220 | 4341 | 8220 | 10275 | 5426 | 10275 | 12330 | 6511 | 12330 |
| BP-B2-401-DA | 9440 | 4985 | 9440 | 10789 | 5697 | 10789 | 13486 | 7122 | 13486 | 16184 | 8546 | 16184 |
| BP-B2-451-DA | 11988 | 6330 | 11988 | 13700 | 7235 | 13700 | 17126 | 9043 | 17126 | | | |
| BP-B3-451-DA | 14306 | 7555 | 14306 | 16350 | 8634 | 16350 | 20438 | 10792 | 20438 | 24525 | 12951 | 24525 |
| BP-B3-501-DA | 17723 | 9359 | 17723 | 20255 | 10696 | 20255 | 25318 | 13369 | 25318 | 30382 | 16043 | 30382 |
| BP-B3-561-DA | 22297 | 11774 | 22297 | 25483 | 13456 | 25483 | 31854 | 16820 | 31854 | 38224 | 20184 | 38224 |
| BP-B3-601-DA | 25635 | 13537 | 25635 | 29297 | 15470 | 29297 | 36621 | 19338 | 36621 | | | |
| BP-B4-601-DA | 30797 | 16263 | 30797 | 35197 | 18586 | 35197 | 43996 | 23232 | 43996 | 52796 | 27879 | 52796 |
| BP-B4-631-DA | 33986 | 17946 | 33986 | 38841 | 20510 | 38841 | 48552 | 25638 | 48552 | 58262 | 30765 | 58262 |
| BP-B4-502-DA | 42584 | 22487 | 42584 | 48668 | 25699 | 48668 | 60835 | 32124 | 60835 | | | |
| BP-B4-701-DA | 42031 | 22195 | 42031 | 48036 | 25365 | 48036 | 60044 | 31707 | 60044 | | | |
| BP-B4-562-DA | 53576 | 28291 | 53576 | 61230 | 32332 | 61230 | | | | | | |
| BP-B4-801-DA | 54993 | 29039 | 54993 | 62849 | 33188 | 62849 | | | | | | |
| BP-B5-701-DA | 50399 | 26614 | 50399 | 57599 | 30416 | 57599 | 71999 | 38019 | 71999 | 86399 | 45623 | 86399 |
| BP-B5-562-DA | 64145 | 33872 | 64145 | 73308 | 38711 | 73308 | 91635 | 48388 | 91635 | 109963 | 58066 | 109963 |
| BP-B5-801-DA | 65984 | 34843 | 65984 | 75410 | 39820 | 75410 | 94263 | 49776 | 94263 | 113115 | 59731 | 113115 |
| BP-B5-602-DA | 73786 | 38963 | 73786 | 84327 | 44529 | 84327 | 105409 | 55661 | 105409 | 126491 | 66794 | 126491 |
| BP-B5-632-DA | 81454 | 43012 | 81454 | 93090 | 49156 | 93090 | 116362 | 61446 | 116362 | | | |
| BP-B5-901-DA | 83646 | 44169 | 83646 | 95595 | 50479 | 95595 | 119494 | 63099 | 119494 | | | |
| BP-B5-702-DA | 100799 | 53227 | 100799 | 115199 | 60831 | 115199 | | | | | | |
| BP-B5-1001-DA | 103386 | 54593 | 103386 | 118155 | 62392 | 118155 | | | | | | |
| BP-B6-901-DA | 112390 | 59348 | 112390 | 128446 | 67826 | 128446 | 160558 | 84783 | 160558 | 192669 | 101740 | 192669 |
| BP-B6-702-DA | 135271 | 71430 | 135271 | 154596 | 81635 | 154596 | 193245 | 102043 | 193245 | 231894 | 122452 | 231894 |
| BP-B6-1001-DA | 138964 | 73380 | 138964 | 158816 | 83863 | 158816 | 198519 | 104829 | 198519 | 238223 | 125795 | 238223 |
| BP-B6-802-DA | 177229 | 93586 | 177229 | 202547 | 106956 | 202547 | 253184 | 133695 | 253184 | | | |
| BP-B6-902-DA | 224781 | 118696 | 224781 | 256893 | 135653 | 256893 | | | | | | |

Output Torque of BP-C Series Double Acting Actuator



| Model | Output Torque (Nm) | | | | | | Air Pressure (Mpa) | | | | | |
|---------------|--------------------|-------|--------|--------|--------|--------|--------------------|--------|--------|--------|--------|--------|
| | 0.35 | | | 0.4 | | | 0.5 | | | 0.6 | | |
| | 0° | 45° | 90° | 0° | 45° | 90° | 0° | 45° | 90° | 0° | 45° | 90° |
| BP-C06-201-DA | 1523 | 663 | 1068 | 1741 | 758 | 1220 | 2176 | 948 | 1525 | | | |
| BP-C08-221-DA | 2400 | 1045 | 1682 | 2743 | 1194 | 1922 | 3428 | 1493 | 2403 | 4114 | 1792 | 2883 |
| BP-C08-251-DA | 3118 | 1358 | 2185 | 3564 | 1552 | 2498 | 4455 | 1940 | 3122 | | | |
| BP-C1-281-DA | 4603 | 2005 | 3226 | 5261 | 2291 | 3687 | 6576 | 2864 | 4609 | 7891 | 3436 | 5531 |
| BP-C1-321-DA | 6042 | 2631 | 4234 | 6905 | 3007 | 4839 | 8631 | 3759 | 6049 | | | |
| BP-C2-351-DA | 8631 | 3759 | 6049 | 9864 | 4296 | 6913 | 12330 | 5369 | 8642 | 14796 | 6443 | 10370 |
| BP-C2-401-DA | 11329 | 4933 | 7939 | 12947 | 5638 | 9074 | 16184 | 7047 | 11342 | 19420 | 8457 | 13610 |
| BP-C2-451-DA | 14385 | 6264 | 10082 | 16441 | 7159 | 11522 | | | | | | |
| BP-C3-451-DA | 17168 | 7476 | 12032 | 19620 | 8544 | 13750 | 24525 | 10680 | 17188 | 29430 | 12816 | 20626 |
| BP-C3-501-DA | 21267 | 9261 | 14905 | 24306 | 10584 | 17034 | 30382 | 13230 | 21293 | | | |
| BP-C3-561-DA | 26757 | 11652 | 18752 | 30579 | 13316 | 21431 | | | | | | |
| BP-C4-561-DA | 32146 | 13998 | 22529 | 36738 | 15998 | 25747 | 45922 | 19997 | 32184 | 55107 | 23997 | 38621 |
| BP-C4-601-DA | 36957 | 16093 | 25901 | 42237 | 18392 | 29601 | 52796 | 22990 | 37001 | 63355 | 27589 | 44401 |
| BP-C4-631-DA | 40783 | 17760 | 28582 | 46610 | 20297 | 32666 | 58262 | 25371 | 40832 | | | |
| BP-C4-701-DA | 50437 | 21963 | 35348 | 57643 | 25101 | 40398 | | | | | | |
| BP-C5-701-DA | 60479 | 26336 | 42386 | 69119 | 30099 | 48441 | 86399 | 37623 | 60551 | 103679 | 45148 | 72662 |
| BP-C5-562-DA | 76974 | 33519 | 53946 | 87970 | 38307 | 61652 | 109963 | 47884 | 77065 | 131955 | 57461 | 92478 |
| BP-C5-801-DA | 79181 | 34480 | 55492 | 90492 | 39406 | 63420 | 113115 | 49257 | 79275 | 135738 | 59109 | 95130 |
| BP-C5-602-DA | 88544 | 38557 | 62054 | 101193 | 44065 | 70919 | 126491 | 55082 | 88649 | | | |
| BP-C5-632-DA | 97744 | 42564 | 68503 | 111708 | 48644 | 78289 | | | | | | |
| BP-C5-901-DA | 100375 | 43709 | 70346 | 114714 | 49954 | 80396 | | | | | | |
| BP-C6-801-DA | 106337 | 46306 | 74525 | 121528 | 52921 | 85171 | 151911 | 66151 | 106464 | 182293 | 79381 | 127757 |
| BP-C6-901-DA | 134869 | 58730 | 94520 | 154136 | 67120 | 108023 | 192669 | 83900 | 135029 | 231203 | 100680 | 162035 |
| BP-C6-702-DA | 162326 | 70686 | 113763 | 185515 | 80784 | 130015 | 231894 | 100981 | 162519 | | | |
| BP-C6-1001-DA | 166756 | 72616 | 116868 | 190579 | 82989 | 133564 | 238223 | 103737 | 166955 | | | |
| BP-C6-802-DA | 212675 | 92611 | 149050 | 243057 | 105842 | 170342 | | | | | | |

Output Torque of BP-B Series Actuator with Spring Return (FC)

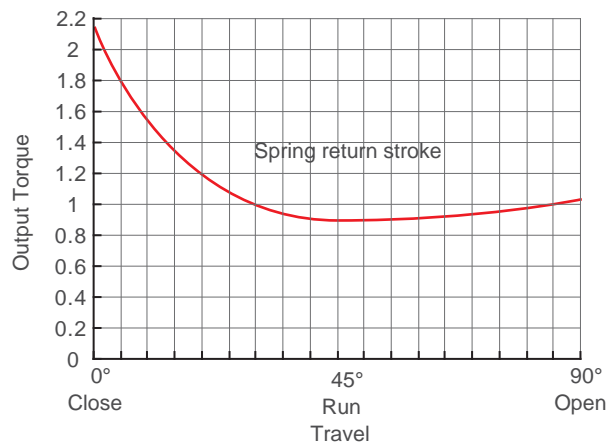
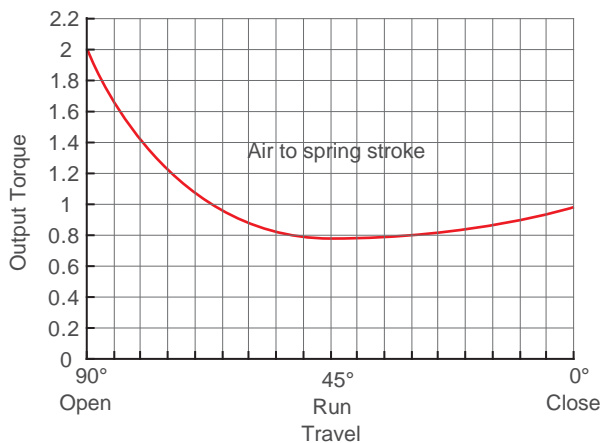


| Model | Air to Spring (4Bar) | | | Spring | | | Air to Spring (5Bar) | | | Spring | | | Air to Spring (6Bar) | | | Spring | | |
|-----------------|----------------------|------|------|--------|------|------|----------------------|------|------|--------|------|------|----------------------|------|------|--------|------|------|
| | 0° | 45° | 90° | 90° | 45° | 0° | 0° | 45° | 90° | 90° | 45° | 0° | 0° | 45° | 90° | 90° | 45° | 0° |
| BP-B04-125-SRC4 | 269 | 105 | 125 | 292 | 110 | 148 | 373 | 160 | 230 | 292 | 110 | 148 | 478 | 213 | 334 | 292 | 110 | 148 |
| BP-B04-125-SRC5 | | | | | | | 336 | 132 | 160 | 362 | 137 | 186 | 441 | 186 | 264 | 362 | 137 | 186 |
| BP-B04-125-SRC6 | | | | | | | | | | | | | 404 | 158 | 188 | 438 | 165 | 222 |
| BP-B05-160-SRC4 | 511 | 199 | 241 | 549 | 207 | 279 | 710 | 300 | 440 | 549 | 207 | 279 | 907 | 401 | 638 | 549 | 207 | 279 |
| BP-B05-160-SRC5 | | | | | | | 640 | 248 | 306 | 683 | 258 | 349 | 838 | 349 | 504 | 683 | 258 | 349 |
| BP-B05-160-SRC6 | | | | | | | | | | | | | 769 | 298 | 365 | 822 | 310 | 418 |
| BP-B06-201-SRC4 | 934 | 383 | 549 | 902 | 383 | 517 | 1296 | 575 | 911 | 902 | 383 | 517 | 1659 | 766 | 1274 | 902 | 383 | 517 |
| BP-B06-201-SRC5 | | | | | | | 1167 | 479 | 686 | 1128 | 479 | 646 | 1530 | 670 | 1049 | 1128 | 479 | 646 |
| BP-B06-201-SRC6 | | | | | | | | | | | | | 1391 | 567 | 806 | 1370 | 582 | 785 |
| BP-B06-221-SRC4 | 1116 | 452 | 635 | 1128 | 479 | 646 | 1557 | 685 | 1076 | 1128 | 479 | 646 | 1997 | 917 | 1516 | 1128 | 479 | 646 |
| BP-B06-221-SRC5 | | | | | | | 1418 | 582 | 833 | 1370 | 582 | 785 | 1858 | 814 | 1274 | 1370 | 582 | 785 |
| BP-B06-221-SRC6 | | | | | | | | | | | | | 1701 | 698 | 1000 | 1644 | 698 | 942 |
| BP-B08-221-SRC4 | 1449 | 587 | 834 | 1452 | 620 | 837 | 2020 | 889 | 1405 | 1452 | 620 | 837 | 2591 | 1190 | 1976 | 1452 | 620 | 837 |
| BP-B08-221-SRC5 | | | | | | | 1830 | 748 | 1075 | 1782 | 761 | 1027 | 2401 | 1049 | 1646 | 1782 | 761 | 1027 |
| BP-B08-221-SRC6 | | | | | | | | | | | | | 2132 | 850 | 1180 | 2248 | 960 | 1296 |
| BP-B08-251-SRC4 | 1943 | 807 | 1188 | 1782 | 761 | 1027 | 2685 | 1199 | 1930 | 1782 | 761 | 1027 | 3428 | 1591 | 2673 | 1782 | 761 | 1027 |
| BP-B08-251-SRC5 | | | | | | | 2416 | 1000 | 1464 | 2248 | 960 | 1296 | 3159 | 1392 | 2207 | 2248 | 960 | 1296 |
| BP-B08-251-SRC6 | | | | | | | | | | | | | 2828 | 1147 | 1633 | 2822 | 1205 | 1627 |
| BP-B08-281-SRC4 | 2445 | 1016 | 1493 | 2248 | 960 | 1296 | 3381 | 1509 | 2429 | 2248 | 960 | 1296 | 4316 | 2003 | 3364 | 2248 | 960 | 1296 |
| BP-B08-281-SRC5 | | | | | | | 3050 | 1264 | 1855 | 2822 | 1205 | 1627 | 3985 | 1758 | 2790 | 2822 | 1205 | 1627 |
| BP-B08-281-SRC6 | | | | | | | | | | | | | 3612 | 1481 | 2142 | 3470 | 1482 | 2000 |
| BP-B1-281-SRC4 | 2821 | 1157 | 1670 | 2714 | 1158 | 1563 | 3917 | 1736 | 2766 | 2714 | 1158 | 1563 | 5013 | 2315 | 3862 | 2714 | 1158 | 1563 |
| BP-B1-281-SRC5 | | | | | | | 3478 | 1411 | 2004 | 3476 | 1483 | 2002 | 4574 | 1990 | 3100 | 3476 | 1483 | 2002 |
| BP-B1-281-SRC6 | | | | | | | | | | | | | 4116 | 1651 | 2305 | 4271 | 1822 | 2460 |
| BP-B1-321-SRC4 | 3752 | 1556 | 2278 | 3476 | 1483 | 2002 | 5191 | 2315 | 3717 | 3476 | 1483 | 2002 | 6629 | 3075 | 5155 | 3476 | 1483 | 2002 |
| BP-B1-321-SRC5 | | | | | | | 4733 | 1976 | 2922 | 4271 | 1822 | 2460 | 6171 | 2736 | 4360 | 4271 | 1822 | 2460 |
| BP-B1-321-SRC6 | | | | | | | | | | | | | 5408 | 2171 | 3034 | 5597 | 2387 | 3223 |
| BP-B1-351-SRC4 | 4442 | 1822 | 2631 | 4271 | 1822 | 2460 | 6167 | 2734 | 4356 | 4271 | 1822 | 2460 | 7892 | 3645 | 6081 | 4271 | 1822 | 2460 |
| BP-B1-351-SRC5 | | | | | | | 5404 | 2169 | 3030 | 5597 | 2387 | 3223 | 7129 | 3080 | 4755 | 5597 | 2387 | 3223 |
| BP-B1-351-SRC6 | | | | | | | | | | | | | 6323 | 2483 | 3356 | 6996 | 2984 | 4029 |

| Model | Air to Spring (4Bar) | | | Spring | | | Air to Spring (5Bar) | | | Spring | | | Air to Spring (6Bar) | | | Spring | | |
|-----------------|----------------------|-------|-------|--------|-------|-------|----------------------|-------|-------|--------|-------|-------|----------------------|-------|--------|--------|-------|-------|
| | 0° | 45° | 90° | 90° | 45° | 0° | 0° | 45° | 90° | 90° | 45° | 0° | 0° | 45° | 90° | 90° | 45° | 0° |
| BP-B1-401-SRC4 | 5819 | 2388 | 3445 | 5597 | 2387 | 3223 | 8080 | 3582 | 5706 | 5597 | 2387 | 3223 | 10340 | 4775 | 7966 | 5597 | 2387 | 3223 |
| BP-B1-401-SRC5 | | | | | | | 7274 | 2985 | 4307 | 6996 | 2984 | 4029 | 9534 | 4178 | 6567 | 6996 | 2984 | 4029 |
| BP-B1-401-SRC6 | | | | | | | | | | | | | 8729 | 3581 | 5168 | 8395 | 3581 | 4834 |
| BP-B2-401-SRC4 | 6943 | 2848 | 4110 | 6679 | 2849 | 3846 | 9640 | 4273 | 6807 | 6679 | 2849 | 3846 | 12338 | 5697 | 9505 | 6679 | 2849 | 3846 |
| BP-B2-401-SRC5 | | | | | | | 8603 | 3505 | 5005 | 8481 | 3617 | 4883 | 11301 | 4929 | 7703 | 8481 | 3617 | 4883 |
| BP-B2-401-SRC6 | | | | | | | | | | | | | 10080 | 4024 | 5582 | 10602 | 4522 | 6104 |
| BP-B2-451-SRC4 | 8817 | 3618 | 5219 | 8481 | 3617 | 4883 | 12243 | 5426 | 8645 | 8481 | 3617 | 4883 | 15668 | 7235 | 12070 | 8481 | 3617 | 4883 |
| BP-B2-451-SRC5 | | | | | | | 11022 | 4521 | 6524 | 10602 | 4522 | 6104 | 14447 | 6330 | 9949 | 10602 | 4522 | 6104 |
| BP-B2-451-SRC6 | | | | | | | | | | | | | 13226 | 5426 | 7829 | 12722 | 5426 | 7325 |
| BP-B3-451-SRC4 | 10522 | 4317 | 6232 | 10118 | 4317 | 5828 | 14610 | 6475 | 10320 | 10118 | 4317 | 5828 | 18697 | 8634 | 14407 | 10118 | 4317 | 5828 |
| BP-B3-451-SRC5 | | | | | | | 13186 | 5420 | 7847 | 12591 | 5372 | 7252 | 17273 | 7579 | 11934 | 12591 | 5372 | 7252 |
| BP-B3-451-SRC6 | | | | | | | | | | | | | 15500 | 6266 | 8857 | 15668 | 6685 | 9025 |
| BP-B3-501-SRC4 | 13003 | 5324 | 7664 | 12591 | 5372 | 7252 | 18066 | 7997 | 12727 | 12591 | 5372 | 7252 | 23130 | 10671 | 17791 | 12591 | 5372 | 7252 |
| BP-B3-501-SRC5 | | | | | | | 16293 | 6684 | 9650 | 15668 | 6685 | 9025 | 21357 | 9358 | 14714 | 15668 | 6685 | 9025 |
| BP-B3-501-SRC6 | | | | | | | | | | | | | 19028 | 7633 | 10671 | 19711 | 8410 | 11354 |
| BP-B3-561-SRC4 | 16458 | 6771 | 9815 | 15668 | 6685 | 9025 | 22829 | 10135 | 16186 | 15668 | 6685 | 9025 | 29199 | 13499 | 22556 | 15668 | 6685 | 9025 |
| BP-B3-561-SRC5 | | | | | | | 20500 | 8410 | 12143 | 19711 | 8410 | 11354 | 26870 | 11774 | 18513 | 19711 | 8410 | 11354 |
| BP-B3-561-SRC6 | | | | | | | | | | | | | 24600 | 10092 | 14570 | 23654 | 10092 | 13624 |
| BP-B3-631-SRC4 | 20977 | 8662 | 12619 | 19711 | 8410 | 11354 | 29059 | 12930 | 20702 | 19711 | 8410 | 11354 | 37142 | 17198 | 28784 | 19711 | 8410 | 11354 |
| BP-B3-631-SRC5 | | | | | | | 26788 | 11248 | 16759 | 23654 | 10092 | 13624 | 34871 | 15516 | 24842 | 23654 | 10092 | 13624 |
| BP-B3-631-SRC6 | | | | | | | | | | | | | 31210 | 12804 | 18486 | 30010 | 12804 | 17286 |
| BP-B4-631-SRC4 | 24997 | 10255 | 14784 | 24057 | 10255 | 13844 | 34708 | 15383 | 24495 | 24057 | 10255 | 13844 | 44418 | 20510 | 34205 | 24057 | 10255 | 13844 |
| BP-B4-631-SRC5 | | | | | | | 31246 | 12819 | 18481 | 30071 | 12819 | 17306 | 40956 | 17946 | 28191 | 30071 | 12819 | 17306 |
| BP-B4-631-SRC6 | | | | | | | | | | | | | 35860 | 14171 | 19335 | 38927 | 16594 | 22402 |
| BP-B4-701-SRC4 | 30730 | 12546 | 17964 | 30071 | 12819 | 17306 | 42739 | 18888 | 29973 | 30071 | 12819 | 17306 | 54748 | 25229 | 41982 | 30071 | 12819 | 17306 |
| BP-B4-701-SRC5 | | | | | | | 37643 | 15113 | 21118 | 38927 | 16594 | 22402 | 49651 | 21454 | 33126 | 38927 | 16594 | 22402 |
| BP-B4-701-SRC6 | | | | | | | | | | | | | 44052 | 17306 | 23396 | 48657 | 20742 | 28002 |
| BP-B4-801-SRC4 | 40447 | 16594 | 23922 | 38927 | 16594 | 22402 | 56160 | 24891 | 39635 | 38927 | 16594 | 22402 | 71872 | 33188 | 55347 | 38927 | 16594 | 22402 |
| BP-B4-801-SRC5 | | | | | | | 50560 | 20743 | 29904 | 48657 | 20742 | 28002 | 66272 | 29040 | 45616 | 48657 | 20742 | 28002 |
| BP-B4-801-SRC6 | | | | | | | | | | | | | 60671 | 24891 | 35884 | 58390 | 24891 | 33603 |
| BP-B5-801-SRC4 | 48531 | 19910 | 28703 | 46707 | 19910 | 26879 | 67384 | 29865 | 47556 | 46707 | 19910 | 26879 | 86236 | 39820 | 66408 | 46707 | 19910 | 26879 |
| BP-B5-801-SRC5 | | | | | | | 60189 | 24536 | 35054 | 59209 | 25240 | 34074 | 79041 | 34491 | 53906 | 59209 | 25240 | 34074 |
| BP-B5-801-SRC6 | | | | | | | | | | | | | 70523 | 28181 | 39104 | 74011 | 31550 | 42592 |
| BP-B5-901-SRC4 | 61522 | 25240 | 36387 | 59209 | 25240 | 34074 | 85421 | 37860 | 60285 | 59209 | 25240 | 34074 | 109319 | 50479 | 84184 | 59209 | 25240 | 34074 |
| BP-B5-901-SRC5 | | | | | | | 76902 | 31550 | 45483 | 74011 | 31550 | 42592 | 100801 | 44169 | 69382 | 74011 | 31550 | 42592 |
| BP-B5-901-SRC6 | | | | | | | | | | | | | 92283 | 37860 | 54580 | 88813 | 37860 | 51110 |
| BP-B6-801-SRC4 | 65176 | 26739 | 38729 | 62545 | 26739 | 36098 | 90495 | 40108 | 64047 | 62545 | 26739 | 36098 | 115813 | 53478 | 89365 | 62545 | 26739 | 36098 |
| BP-B6-801-SRC5 | | | | | | | 80809 | 32934 | 47266 | 79327 | 33913 | 45783 | 106128 | 46304 | 72584 | 79327 | 33913 | 45783 |
| BP-B6-801-SRC6 | | | | | | | | | | | | | 94682 | 37825 | 52752 | 99158 | 42392 | 57229 |
| BP-B6-901-SRC4 | 82663 | 33913 | 49120 | 79327 | 33913 | 45783 | 114775 | 50870 | 81231 | 79327 | 33913 | 45783 | 146887 | 67826 | 113343 | 79327 | 33913 | 45783 |
| BP-B6-901-SRC5 | | | | | | | 103329 | 42392 | 61400 | 99158 | 42392 | 57229 | 135441 | 59348 | 93511 | 99158 | 42392 | 57229 |
| BP-B6-901-SRC6 | | | | | | | | | | | | | 121910 | 49325 | 70067 | 122603 | 52414 | 70759 |
| BP-B6-1001-SRC4 | 101587 | 41472 | 59657 | 99158 | 42392 | 57229 | 141291 | 62437 | 99361 | 99158 | 42392 | 57229 | 180995 | 83403 | 139065 | 99158 | 42392 | 57229 |
| BP-B6-1001-SRC5 | | | | | | | 127760 | 52414 | 75917 | 122603 | 52414 | 70759 | 167464 | 73380 | 115621 | 122603 | 52414 | 70759 |
| BP-B6-1001-SRC6 | | | | | | | | | | | | | 153312 | 62897 | 91100 | 147123 | 62897 | 84911 |

The torque of the springs can be customized to your needs.

Output Torque of BP-B Series Actuator with Spring Return (FO)

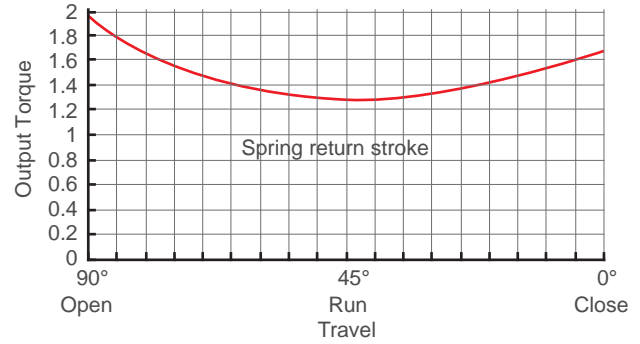
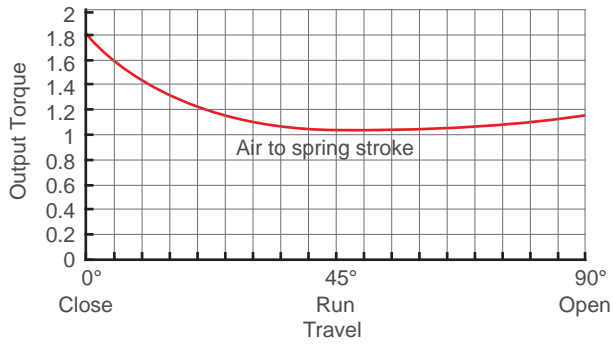


| Model | Air to Spring (4Bar) | | | Spring | | | Air to Spring (5Bar) | | | Spring | | | Air to Spring (6Bar) | | | Spring | | |
|-----------------|----------------------|------|------|--------|------|------|----------------------|------|------|--------|------|------|----------------------|------|------|--------|------|------|
| | 90° | 45° | 0° | 0° | 45° | 90° | 90° | 45° | 0° | 0° | 45° | 90° | 90° | 45° | 0° | 0° | 45° | 90° |
| BP-B04-125-SRO4 | 269 | 105 | 125 | 292 | 110 | 148 | 373 | 160 | 230 | 292 | 110 | 148 | 478 | 213 | 334 | 292 | 110 | 148 |
| BP-B04-125-SRO5 | | | | | | | 336 | 132 | 160 | 362 | 137 | 186 | 440 | 186 | 264 | 362 | 137 | 186 |
| BP-B04-125-SRO6 | | | | | | | | | | | | | 404 | 158 | 188 | 438 | 165 | 222 |
| BP-B05-160-SRO4 | 511 | 199 | 241 | 549 | 207 | 279 | 710 | 300 | 440 | 549 | 207 | 279 | 907 | 401 | 638 | 549 | 207 | 279 |
| BP-B05-160-SRO5 | | | | | | | 640 | 248 | 306 | 683 | 258 | 349 | 838 | 349 | 504 | 683 | 258 | 349 |
| BP-B05-160-SRO6 | | | | | | | | | | | | | 769 | 298 | 365 | 822 | 310 | 418 |
| BP-B06-201-SRO4 | 934 | 383 | 549 | 902 | 383 | 517 | 1296 | 575 | 911 | 902 | 383 | 517 | 1659 | 766 | 1274 | 902 | 383 | 517 |
| BP-B06-201-SRO5 | | | | | | | 1167 | 479 | 686 | 1128 | 479 | 646 | 1530 | 670 | 1049 | 1128 | 479 | 646 |
| BP-B06-201-SRO6 | | | | | | | | | | | | | 1391 | 567 | 806 | 1370 | 582 | 785 |
| BP-B06-221-SRO4 | 1116 | 452 | 635 | 1128 | 479 | 646 | 1557 | 685 | 1076 | 1128 | 479 | 646 | 1997 | 917 | 1516 | 1128 | 479 | 646 |
| BP-B06-221-SRO5 | | | | | | | 1418 | 582 | 833 | 1370 | 582 | 785 | 1858 | 814 | 1274 | 1370 | 582 | 785 |
| BP-B06-221-SRO6 | | | | | | | | | | | | | 1701 | 698 | 1000 | 1644 | 698 | 942 |
| BP-B08-221-SRO4 | 1449 | 587 | 834 | 1452 | 620 | 837 | 2020 | 889 | 1405 | 1452 | 620 | 837 | 2591 | 1190 | 1976 | 1452 | 620 | 837 |
| BP-B08-221-SRO5 | | | | | | | 1830 | 748 | 1075 | 1782 | 761 | 1027 | 2401 | 1049 | 1646 | 1782 | 761 | 1027 |
| BP-B08-221-SRO6 | | | | | | | | | | | | | 2132 | 850 | 1180 | 2248 | 960 | 1296 |
| BP-B08-251-SRO4 | 1943 | 807 | 1188 | 1782 | 761 | 1027 | 2685 | 1199 | 1930 | 1782 | 761 | 1027 | 3428 | 1591 | 2673 | 1782 | 761 | 1027 |
| BP-B08-251-SRO5 | | | | | | | 2416 | 1000 | 1464 | 2248 | 960 | 1296 | 3159 | 1392 | 2207 | 2248 | 960 | 1296 |
| BP-B08-251-SRO6 | | | | | | | | | | | | | 2828 | 1147 | 1633 | 2822 | 1205 | 1627 |
| BP-B08-281-SRO4 | 2445 | 1016 | 1493 | 2248 | 960 | 1296 | 3381 | 1509 | 2429 | 2248 | 960 | 1296 | 4316 | 2003 | 3364 | 2248 | 960 | 1296 |
| BP-B08-281-SRO5 | | | | | | | 3050 | 1264 | 1855 | 2822 | 1205 | 1627 | 3985 | 1758 | 2790 | 2822 | 1205 | 1627 |
| BP-B08-281-SRO6 | | | | | | | | | | | | | 3612 | 1481 | 2142 | 3470 | 1482 | 2000 |
| BP-B1-281-SRO4 | 2821 | 1157 | 1670 | 2714 | 1158 | 1563 | 3917 | 1736 | 2766 | 2714 | 1158 | 1563 | 5013 | 2315 | 3862 | 2714 | 1158 | 1563 |
| BP-B1-281-SRO5 | | | | | | | 3478 | 1411 | 2004 | 3476 | 1483 | 2002 | 4574 | 1990 | 3100 | 3476 | 1483 | 2002 |
| BP-B1-281-SRO6 | | | | | | | | | | | | | 4116 | 1651 | 2305 | 4271 | 1822 | 2460 |
| BP-B1-321-SRO4 | 3752 | 1556 | 2278 | 3476 | 1483 | 2002 | 5191 | 2315 | 3717 | 3476 | 1483 | 2002 | 6629 | 3075 | 5155 | 3476 | 1483 | 2002 |
| BP-B1-321-SRO5 | | | | | | | 4733 | 1976 | 2922 | 4271 | 1822 | 2460 | 6171 | 2736 | 4360 | 4271 | 1822 | 2460 |
| BP-B1-321-SRO6 | | | | | | | | | | | | | 5408 | 2171 | 3034 | 5597 | 2387 | 3223 |
| BP-B1-351-SRO4 | 4442 | 1822 | 2631 | 4271 | 1822 | 2460 | 6167 | 2734 | 4356 | 4271 | 1822 | 2460 | 7892 | 3645 | 6081 | 4271 | 1822 | 2460 |
| BP-B1-351-SRO5 | | | | | | | 5404 | 2169 | 3030 | 5597 | 2387 | 3223 | 7129 | 3080 | 4755 | 5597 | 2387 | 3223 |
| BP-B1-351-SRO6 | | | | | | | | | | | | | 6323 | 2483 | 3356 | 6996 | 2984 | 4029 |

| Model | Air to Spring (4Bar) | | | Spring | | | Air to Spring (5Bar) | | | Spring | | | Air to Spring (6Bar) | | | Spring | | |
|-----------------|----------------------|-------|-------|--------|-------|-------|----------------------|-------|-------|--------|-------|-------|----------------------|-------|--------|--------|-------|-------|
| | 90° | 45° | 0° | 0° | 45° | 90° | 90° | 45° | 0° | 0° | 45° | 90° | 90° | 45° | 0° | 0° | 45° | 90° |
| BP-B1-401-SRO4 | 5819 | 2388 | 3445 | 5597 | 2387 | 3223 | 8080 | 3582 | 5706 | 5597 | 2387 | 3223 | 10340 | 4775 | 7966 | 5597 | 2387 | 3223 |
| BP-B1-401-SRO5 | | | | | | | 7274 | 2985 | 4307 | 6996 | 2984 | 4029 | 9534 | 4178 | 6567 | 6996 | 2984 | 4029 |
| BP-B1-401-SRO6 | | | | | | | | | | | | | 8729 | 3581 | 5168 | 8395 | 3581 | 4834 |
| BP-B2-401-SRO4 | 6943 | 2848 | 4110 | 6679 | 2849 | 3846 | 9640 | 4273 | 6807 | 6679 | 2849 | 3846 | 12338 | 5697 | 9505 | 6679 | 2849 | 3846 |
| BP-B2-401-SRO5 | | | | | | | 8603 | 3505 | 5005 | 8481 | 3617 | 4883 | 11301 | 4929 | 7703 | 8481 | 3617 | 4883 |
| BP-B2-401-SRO6 | | | | | | | | | | | | | 10080 | 4024 | 5582 | 10602 | 4522 | 6104 |
| BP-B2-451-SRO4 | 8817 | 3618 | 5219 | 8481 | 3617 | 4883 | 12243 | 5426 | 8645 | 8481 | 3617 | 4883 | 15668 | 7235 | 12070 | 8481 | 3617 | 4883 |
| BP-B2-451-SRO5 | | | | | | | 11022 | 4521 | 6524 | 10602 | 4522 | 6104 | 14447 | 6330 | 9949 | 10602 | 4522 | 6104 |
| BP-B2-451-SRO6 | | | | | | | | | | | | | 13226 | 5426 | 7829 | 12722 | 5426 | 7325 |
| BP-B3-451-SRO4 | 10522 | 4317 | 6232 | 10118 | 4317 | 5828 | 14610 | 6475 | 10320 | 10118 | 4317 | 5828 | 18697 | 8634 | 14407 | 10118 | 4317 | 5828 |
| BP-B3-451-SRO5 | | | | | | | 13186 | 5420 | 7847 | 12591 | 5372 | 7252 | 17273 | 7579 | 11934 | 12591 | 5372 | 7252 |
| BP-B3-451-SRO6 | | | | | | | | | | | | | 15500 | 6266 | 8857 | 15668 | 6685 | 9025 |
| BP-B3-501-SRO4 | 13003 | 5324 | 7664 | 12591 | 5372 | 7252 | 18066 | 7997 | 12727 | 12591 | 5372 | 7252 | 23130 | 10671 | 17791 | 12591 | 5372 | 7252 |
| BP-B3-501-SRO5 | | | | | | | 16293 | 6684 | 9650 | 15668 | 6685 | 9025 | 21357 | 9358 | 14714 | 15668 | 6685 | 9025 |
| BP-B3-501-SRO6 | | | | | | | | | | | | | 19028 | 7633 | 10671 | 19711 | 8410 | 11354 |
| BP-B3-561-SRO4 | 16458 | 6771 | 9815 | 15668 | 6685 | 9025 | 22829 | 10135 | 16186 | 15668 | 6685 | 9025 | 29199 | 13499 | 22556 | 15668 | 6685 | 9025 |
| BP-B3-561-SRO5 | | | | | | | 20500 | 8410 | 12143 | 19711 | 8410 | 11354 | 26870 | 11774 | 18513 | 19711 | 8410 | 11354 |
| BP-B3-561-SRO6 | | | | | | | | | | | | | 24600 | 10092 | 14570 | 23654 | 10092 | 13624 |
| BP-B3-631-SRO4 | 20977 | 8662 | 12619 | 19711 | 8410 | 11354 | 29059 | 12930 | 20702 | 19711 | 8410 | 11354 | 37142 | 17198 | 28784 | 19711 | 8410 | 11354 |
| BP-B3-631-SRO5 | | | | | | | 26788 | 11248 | 16759 | 23654 | 10092 | 13264 | 34871 | 15516 | 24842 | 23654 | 10092 | 13624 |
| BP-B3-631-SRO6 | | | | | | | | | | | | | 31210 | 12804 | 18486 | 30010 | 12804 | 17286 |
| BP-B4-631-SRO4 | 24997 | 10255 | 14784 | 24057 | 10255 | 13844 | 34708 | 15383 | 24495 | 24057 | 10255 | 13844 | 44418 | 20510 | 34205 | 24057 | 10255 | 13844 |
| BP-B4-631-SRO5 | | | | | | | 31246 | 12819 | 18481 | 30071 | 12819 | 17306 | 40956 | 17946 | 28191 | 30071 | 12819 | 17306 |
| BP-B4-631-SRO6 | | | | | | | | | | | | | 35860 | 14171 | 19335 | 38927 | 16594 | 22402 |
| BP-B4-701-SRO4 | 30730 | 12546 | 17964 | 30071 | 12819 | 17306 | 42739 | 18888 | 29973 | 30071 | 12819 | 17306 | 54748 | 25229 | 41982 | 30071 | 12819 | 17306 |
| BP-B4-701-SRO5 | | | | | | | 37643 | 15113 | 21118 | 38927 | 16594 | 22402 | 49651 | 21454 | 33126 | 38927 | 16594 | 22402 |
| BP-B4-701-SRO6 | | | | | | | | | | | | | 44052 | 17306 | 23396 | 48657 | 20742 | 28002 |
| BP-B4-801-SRO4 | 40447 | 16594 | 23922 | 38927 | 16594 | 22402 | 56160 | 24891 | 39635 | 38927 | 16594 | 22402 | 71872 | 33188 | 55347 | 38927 | 16594 | 22402 |
| BP-B4-801-SRO5 | | | | | | | 50560 | 20743 | 29904 | 48657 | 20742 | 28002 | 66272 | 29040 | 45616 | 48657 | 20742 | 28002 |
| BP-B4-801-SRO6 | | | | | | | | | | | | | 60671 | 24891 | 35884 | 58390 | 24891 | 33603 |
| BP-B5-801-SRO4 | 48531 | 19910 | 28703 | 46707 | 19910 | 26879 | 67384 | 29865 | 47556 | 46707 | 19910 | 26879 | 86236 | 39820 | 66408 | 46707 | 19910 | 26879 |
| BP-B5-801-SRO5 | | | | | | | 60189 | 24536 | 35054 | 59209 | 25240 | 34074 | 79041 | 34491 | 53906 | 59209 | 25240 | 34074 |
| BP-B5-801-SRO6 | | | | | | | | | | | | | 70523 | 28181 | 39104 | 74011 | 31550 | 42592 |
| BP-B5-901-SRO4 | 61522 | 25240 | 36387 | 59209 | 25240 | 34074 | 85421 | 37860 | 60285 | 59209 | 25240 | 34074 | 109319 | 50479 | 84184 | 59209 | 25240 | 34074 |
| BP-B5-901-SRO5 | | | | | | | 76902 | 31550 | 45483 | 74011 | 31550 | 42592 | 100801 | 44169 | 69382 | 74011 | 31550 | 42592 |
| BP-B5-901-SRO6 | | | | | | | | | | | | | 92283 | 37860 | 54580 | 88813 | 37860 | 51110 |
| BP-B6-801-SRO4 | 65176 | 26739 | 38729 | 62545 | 26739 | 36098 | 90495 | 40108 | 64047 | 62545 | 26739 | 36098 | 115813 | 53478 | 89365 | 62545 | 26739 | 36098 |
| BP-B6-801-SRO5 | | | | | | | 80809 | 32934 | 47266 | 79327 | 33913 | 45783 | 106128 | 46304 | 72584 | 79327 | 33913 | 45783 |
| BP-B6-801-SRO6 | | | | | | | | | | | | | 94682 | 37825 | 52752 | 99158 | 42392 | 57229 |
| BP-B6-901-SRO4 | 82663 | 33913 | 49120 | 79327 | 33913 | 45783 | 114775 | 50870 | 81231 | 79327 | 33913 | 45783 | 146887 | 67826 | 113343 | 79327 | 33913 | 45783 |
| BP-B6-901-SRO5 | | | | | | | 103329 | 42392 | 61400 | 99158 | 42392 | 57229 | 135441 | 59348 | 93511 | 99158 | 42392 | 57229 |
| BP-B6-901-SRO6 | | | | | | | | | | | | | 121910 | 49325 | 70067 | 122603 | 52414 | 70759 |
| BP-B6-1001-SRO4 | 101587 | 41472 | 59657 | 99158 | 42392 | 57229 | 141291 | 62437 | 99361 | 99158 | 42392 | 57229 | 180995 | 83403 | 139065 | 99158 | 42392 | 57229 |
| BP-B6-1001-SRO5 | | | | | | | 127760 | 52414 | 75917 | 122603 | 52414 | 70759 | 167464 | 73380 | 115621 | 122603 | 52414 | 70759 |
| BP-B6-1001-SRO6 | | | | | | | | | | | | | 153312 | 62897 | 91100 | 147123 | 62897 | 84911 |

The torque of the springs can be customized to your needs.

Output Torque of BP-C Series Actuator with Spring Return (FC)

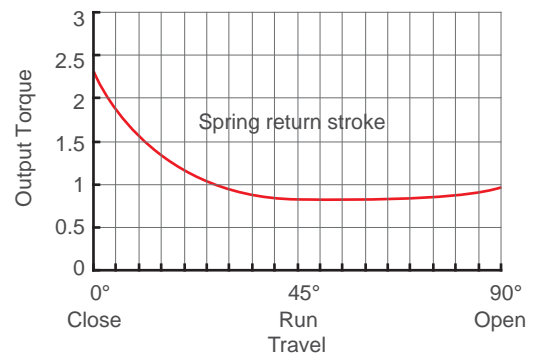
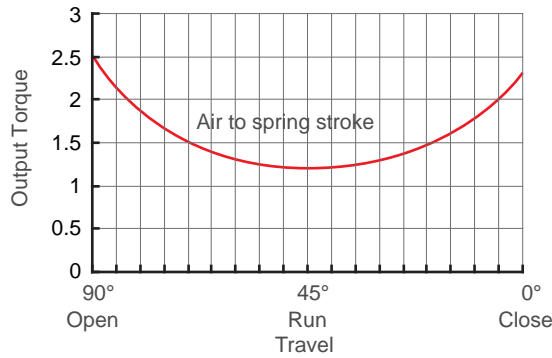


| Model | Air to Spring (4Bar) | | | Spring | | | Air to Spring (5Bar) | | | Spring | | | Air to Spring (6Bar) | | | Spring | | |
|-----------------|----------------------|------|------|--------|------|------|----------------------|------|------|--------|------|------|----------------------|------|------|--------|------|------|
| | 0° | 45° | 90° | 90° | 45° | 0° | 0° | 45° | 90° | 90° | 45° | 0° | 0° | 45° | 90° | 90° | 45° | 0° |
| BP-C06-201-SRC4 | 870 | 279 | 305 | 915 | 479 | 870 | 1306 | 468 | 610 | 915 | 479 | 870 | 1741 | 658 | 915 | 915 | 479 | 870 |
| BP-C06-201-SRC5 | | | | | | | 1088 | 348 | 381 | 1144 | 599 | 1088 | 1523 | 538 | 686 | 1144 | 599 | 1088 |
| BP-C06-201-SRC6 | | | | | | | | | | | | | 1290 | 409 | 440 | 1390 | 728 | 1322 |
| BP-C06-221-SRC4 | 1027 | 322 | 338 | 1144 | 599 | 1088 | 1556 | 552 | 708 | 1144 | 599 | 1088 | 2084 | 782 | 1079 | 1144 | 599 | 1088 |
| BP-C06-221-SRC5 | | | | | | | 1322 | 423 | 463 | 1390 | 728 | 1322 | 1851 | 653 | 833 | 1390 | 728 | 1322 |
| BP-C06-221-SRC6 | | | | | | | | | | | | | 1586 | 508 | 555 | 1668 | 874 | 1586 |
| BP-C08-221-SRC4 | 1353 | 427 | 460 | 1462 | 768 | 1390 | 2038 | 725 | 941 | 1462 | 768 | 1390 | 2724 | 1024 | 1421 | 1462 | 768 | 1390 |
| BP-C08-221-SRC5 | | | | | | | 1680 | 527 | 564 | 1838 | 966 | 1748 | 2366 | 826 | 1045 | 1838 | 966 | 1748 |
| BP-C08-221-SRC6 | | | | | | | | | | | | | 1887 | 561 | 541 | 2342 | 1230 | 2227 |
| BP-C08-251-SRC4 | 1816 | 586 | 659 | 1838 | 966 | 1748 | 2707 | 974 | 1284 | 1838 | 966 | 1748 | 3598 | 1362 | 1908 | 1838 | 966 | 1748 |
| BP-C08-251-SRC5 | | | | | | | 2227 | 710 | 780 | 2342 | 1230 | 2227 | 3118 | 1098 | 1404 | 2342 | 1230 | 2227 |
| BP-C08-251-SRC6 | | | | | | | | | | | | | 2606 | 814 | 865 | 2882 | 1513 | 2740 |
| BP-C08-281-SRC4 | 2262 | 725 | 804 | 2342 | 1230 | 2227 | 3385 | 1213 | 1591 | 2342 | 1230 | 2227 | 4507 | 1702 | 2377 | 2342 | 1230 | 2227 |
| BP-C08-281-SRC5 | | | | | | | 2872 | 930 | 1051 | 2882 | 1513 | 2740 | 3994 | 1419 | 1838 | 2882 | 1513 | 2740 |
| BP-C08-281-SRC6 | | | | | | | | | | | | | 3367 | 1073 | 1179 | 3541 | 1860 | 3367 |
| BP-C1-281-SRC4 | 2630 | 839 | 921 | 2766 | 1452 | 2630 | 3946 | 1411 | 1842 | 2766 | 1452 | 2630 | 5261 | 1984 | 2764 | 2766 | 1452 | 2630 |
| BP-C1-281-SRC5 | | | | | | | 3206 | 1003 | 1065 | 3544 | 1861 | 3370 | 4521 | 1576 | 1986 | 3544 | 1861 | 3370 |
| BP-C1-281-SRC6 | | | | | | | | | | | | | 3750 | 1150 | 1176 | 4355 | 2286 | 4141 |
| BP-C1-321-SRC4 | 3535 | 1146 | 1295 | 3544 | 1861 | 3370 | 5261 | 1898 | 2505 | 3544 | 1861 | 3370 | 6988 | 2650 | 3715 | 3544 | 1861 | 3370 |
| BP-C1-321-SRC5 | | | | | | | 4490 | 1472 | 1694 | 4355 | 2286 | 4141 | 6217 | 2224 | 2904 | 4355 | 2286 | 4141 |
| BP-C1-321-SRC6 | | | | | | | | | | | | | 5098 | 1606 | 1727 | 5532 | 2904 | 5260 |
| BP-C1-351-SRC4 | 4141 | 1320 | 1449 | 4355 | 2286 | 4141 | 6211 | 2222 | 2900 | 4355 | 2286 | 4141 | 8282 | 3123 | 4351 | 4355 | 2286 | 4141 |
| BP-C1-351-SRC5 | | | | | | | 5092 | 1604 | 1724 | 5532 | 2904 | 5260 | 7163 | 2506 | 3175 | 5532 | 2904 | 5260 |
| BP-C1-351-SRC6 | | | | | | | | | | | | | 5927 | 1823 | 1875 | 6832 | 3586 | 6496 |
| BP-C1-401-SRC4 | 5591 | 1821 | 2073 | 5532 | 2904 | 5260 | 8303 | 3002 | 3974 | 5532 | 2904 | 5260 | 11016 | 4184 | 5875 | 5532 | 2904 | 5260 |
| BP-C1-401-SRC5 | | | | | | | 7067 | 2320 | 2674 | 6832 | 3586 | 6496 | 9780 | 3501 | 4575 | 6832 | 3586 | 6496 |
| BP-C1-401-SRC6 | | | | | | | | | | | | | 8138 | 2595 | 2848 | 8559 | 4493 | 8138 |
| BP-C2-401-SRC4 | 6473 | 2064 | 2266 | 6808 | 3574 | 6473 | 9710 | 3474 | 4534 | 6808 | 3574 | 6473 | 12947 | 4883 | 6803 | 6808 | 3574 | 6473 |
| BP-C2-401-SRC5 | | | | | | | 7963 | 2509 | 2697 | 8645 | 4538 | 8220 | 11200 | 3919 | 4965 | 8645 | 4538 | 8220 |
| BP-C2-401-SRC6 | | | | | | | | | | | | | 9428 | 2941 | 3102 | 10508 | 5516 | 9992 |

| Model | Air to Spring (4Bar) | | | Spring | | | Air to Spring (5Bar) | | | Spring | | | Air to Spring (6Bar) | | | Spring | | |
|-----------------|----------------------|-------|-------|--------|-------|-------|----------------------|-------|-------|--------|-------|--------|----------------------|-------|--------|--------|-------|--------|
| | 0° | 45° | 90° | 90° | 45° | 0° | 0° | 45° | 90° | 90° | 45° | 0° | 0° | 45° | 90° | 90° | 45° | 0° |
| BP-C2-451-SRC4 | 8220 | 2621 | 2877 | 8645 | 4538 | 8220 | 12330 | 4411 | 5758 | 8645 | 4538 | 8220 | 16441 | 6201 | 8638 | 8645 | 4538 | 8220 |
| BP-C2-451-SRC5 | | | | | | | 10559 | 3433 | 3894 | 10508 | 5516 | 9992 | 14669 | 5223 | 6775 | 10508 | 5516 | 9992 |
| BP-C2-451-SRC6 | | | | | | | | | | | | | 12330 | 3932 | 4316 | 12967 | 6807 | 12330 |
| BP-C3-451-SRC4 | 9810 | 3127 | 3434 | 10317 | 5417 | 9810 | 14715 | 5263 | 6871 | 10317 | 5417 | 9810 | 19620 | 7399 | 10309 | 10317 | 5417 | 9810 |
| BP-C3-451-SRC5 | | | | | | | 12263 | 3909 | 4292 | 12896 | 6771 | 12263 | 17168 | 6045 | 7730 | 12896 | 6771 | 12263 |
| BP-C3-451-SRC6 | | | | | | | | | | | | | 14239 | 4428 | 4650 | 15976 | 8388 | 15191 |
| BP-C3-501-SRC4 | 12043 | 3813 | 4138 | 12896 | 6771 | 12263 | 18120 | 6459 | 8397 | 12896 | 6771 | 12263 | 24196 | 9105 | 12655 | 12896 | 6771 | 12263 |
| BP-C3-501-SRC5 | | | | | | | 15191 | 4842 | 5317 | 15976 | 8388 | 15191 | 21267 | 7489 | 9575 | 15976 | 8388 | 15191 |
| BP-C3-501-SRC6 | | | | | | | | | | | | | 17346 | 5324 | 5452 | 20100 | 10553 | 19112 |
| BP-C3-561-SRC4 | 15388 | 4928 | 5455 | 15976 | 8388 | 15191 | 23033 | 8257 | 10813 | 15976 | 8388 | 15191 | 30678 | 11586 | 16171 | 15976 | 8388 | 15191 |
| BP-C3-561-SRC5 | | | | | | | 19112 | 6092 | 6689 | 20100 | 10553 | 19112 | 26757 | 9421 | 12047 | 20100 | 10553 | 19112 |
| BP-C3-561-SRC6 | | | | | | | | | | | | | 23896 | 7842 | 9039 | 23108 | 12132 | 21973 |
| BP-C3-631-SRC4 | 19809 | 6396 | 7177 | 20100 | 10553 | 19112 | 29539 | 10633 | 13997 | 20100 | 10553 | 19112 | 39269 | 14870 | 20816 | 20100 | 10553 | 19112 |
| BP-C3-631-SRC5 | | | | | | | 23305 | 7191 | 7441 | 26656 | 13995 | 25346 | 33035 | 11428 | 14260 | 26656 | 13995 | 25346 |
| BP-C3-631-SRC6 | | | | | | | | | | | | | 29191 | 9305 | 10217 | 30699 | 16118 | 29191 |
| BP-C4-631-SRC4 | 21759 | 6584 | 6531 | 26135 | 13712 | 24851 | 33411 | 11658 | 14697 | 26135 | 13712 | 24851 | 45063 | 16732 | 22863 | 26135 | 13712 | 24851 |
| BP-C4-631-SRC5 | | | | | | | 29131 | 9297 | 10196 | 30636 | 16074 | 29131 | 40783 | 14371 | 18362 | 30636 | 16074 | 29131 |
| BP-C4-631-SRC6 | | | | | | | | | | | | | 33888 | 10566 | 11110 | 37888 | 19879 | 36027 |
| BP-C4-701-SRC4 | 28512 | 9027 | 9762 | 30636 | 16074 | 29131 | 42922 | 15302 | 19861 | 30636 | 16074 | 29131 | 57333 | 21578 | 29961 | 30636 | 16074 | 29131 |
| BP-C4-701-SRC5 | | | | | | | 36027 | 11497 | 12609 | 37888 | 19879 | 36027 | 50437 | 17773 | 22709 | 37888 | 19879 | 36027 |
| BP-C4-701-SRC6 | | | | | | | | | | | | | 41280 | 12719 | 13078 | 47519 | 24932 | 45184 |
| BP-C4-801-SRC4 | 39392 | 12963 | 14968 | 37888 | 19879 | 36027 | 58247 | 21173 | 28182 | 37888 | 19879 | 36027 | 77102 | 29384 | 41396 | 37888 | 19879 | 36027 |
| BP-C4-801-SRC5 | | | | | | | 49089 | 16120 | 18551 | 47519 | 24932 | 45184 | 67944 | 24331 | 31765 | 47519 | 24932 | 45184 |
| BP-C4-801-SRC6 | | | | | | | | | | | | | 56564 | 18052 | 19798 | 59487 | 31211 | 56564 |
| BP-C5-801-SRC4 | 45246 | 14438 | 15836 | 47584 | 24968 | 45246 | 67869 | 24289 | 31691 | 47584 | 24968 | 45246 | 90492 | 34141 | 47546 | 47584 | 24968 | 45246 |
| BP-C5-801-SRC5 | | | | | | | 55758 | 17606 | 18954 | 60321 | 31651 | 57357 | 78381 | 27457 | 34809 | 60321 | 31651 | 57357 |
| BP-C5-801-SRC6 | | | | | | | | | | | | | 65955 | 20601 | 21742 | 73388 | 38508 | 69783 |
| BP-C5-901-SRC4 | 57357 | 18302 | 20075 | 60321 | 31651 | 57357 | 86036 | 30791 | 40174 | 60321 | 31651 | 57357 | 114714 | 43279 | 60273 | 60321 | 31651 | 57357 |
| BP-C5-901-SRC5 | | | | | | | 73610 | 23934 | 27106 | 73388 | 38508 | 69783 | 102289 | 36423 | 47205 | 73388 | 38508 | 69783 |
| BP-C5-901-SRC6 | | | | | | | | | | | | | 86036 | 27454 | 30113 | 90481 | 47477 | 86036 |
| BP-C6-801-SRC4 | 60764 | 19336 | 21267 | 63904 | 33585 | 60764 | 91146 | 32566 | 42560 | 63904 | 33585 | 60764 | 121528 | 45796 | 63853 | 63904 | 33585 | 60764 |
| BP-C6-801-SRC5 | | | | | | | 74843 | 23555 | 25414 | 81050 | 42596 | 77068 | 105225 | 36785 | 46707 | 81050 | 42596 | 77068 |
| BP-C6-801-SRC6 | | | | | | | | | | | | | 88036 | 27284 | 28630 | 99127 | 52097 | 94257 |
| BP-C6-901-SRC4 | 77068 | 24524 | 26974 | 81050 | 42596 | 77068 | 115602 | 41304 | 53980 | 81050 | 42596 | 77068 | 154136 | 58084 | 80985 | 81050 | 42596 | 77068 |
| BP-C6-901-SRC5 | | | | | | | 98413 | 31803 | 35902 | 99127 | 52097 | 94257 | 136946 | 48583 | 62908 | 99127 | 52097 | 94257 |
| BP-C6-901-SRC6 | | | | | | | | | | | | | 113847 | 35815 | 38615 | 123420 | 64864 | 117357 |
| BP-C6-1001-SRC4 | 96322 | 30893 | 34437 | 99127 | 52097 | 94257 | 143967 | 51640 | 67828 | 99127 | 52097 | 94257 | 191611 | 72387 | 101219 | 99127 | 52097 | 94257 |
| BP-C6-1001-SRC5 | | | | | | | 120867 | 38872 | 43535 | 123420 | 64864 | 117357 | 168511 | 59620 | 76926 | 123420 | 64864 | 117357 |
| BP-C6-1001-SRC6 | | | | | | | | | | | | | 142934 | 45483 | 50027 | 150319 | 79001 | 142934 |

The torque of the springs can be customized to your needs.

Output Torque of BP-C Series Actuator with Spring Return (FO)



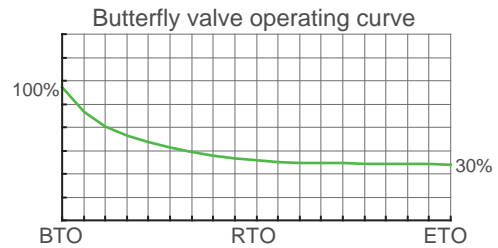
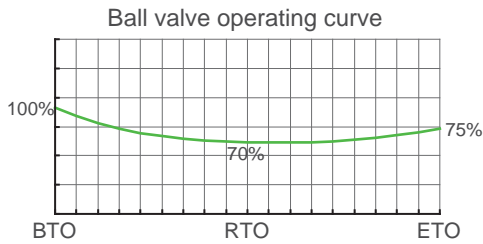
| Model | Air to Spring (4Bar) | | | Spring | | | Air to Spring (5Bar) | | | Spring | | | Air to Spring (6Bar) | | | Spring | | |
|-----------------|----------------------|------|------|--------|------|------|----------------------|------|------|--------|------|------|----------------------|------|-------|--------|------|------|
| | 90° | 45° | 0° | 0° | 45° | 90° | 90° | 45° | 0° | 0° | 45° | 90° | 90° | 45° | 0° | 0° | 45° | 90° |
| BP-C06-201-SRO4 | 915 | 471 | 870 | 870 | 287 | 305 | 1221 | 660 | 1306 | 870 | 287 | 305 | 1526 | 850 | 1741 | 870 | 287 | 305 |
| BP-C06-201-SRO5 | | | | | | | 1144 | 589 | 1088 | 1088 | 359 | 381 | 1449 | 778 | 1523 | 1088 | 359 | 381 |
| BP-C06-201-SRO6 | | | | | | | | | | | | | 1368 | 701 | 1290 | 1322 | 436 | 463 |
| BP-C06-221-SRO4 | 1101 | 562 | 1027 | 1088 | 359 | 381 | 1472 | 792 | 1556 | 1088 | 359 | 381 | 1843 | 1023 | 2084 | 1088 | 359 | 381 |
| BP-C06-221-SRO5 | | | | | | | 1390 | 715 | 1322 | 1322 | 436 | 463 | 1761 | 945 | 1851 | 1322 | 436 | 463 |
| BP-C06-221-SRO6 | | | | | | | | | | | | | 1668 | 858 | 1586 | 1586 | 523 | 555 |
| BP-C08-221-SRO4 | 1436 | 735 | 1353 | 1390 | 459 | 487 | 1916 | 1033 | 2038 | 1390 | 459 | 487 | 2397 | 1332 | 2724 | 1390 | 459 | 487 |
| BP-C08-221-SRO5 | | | | | | | 1798 | 921 | 1699 | 1729 | 572 | 605 | 2278 | 1220 | 2385 | 1729 | 572 | 605 |
| BP-C08-221-SRO6 | | | | | | | | | | | | | 2104 | 1055 | 1887 | 2227 | 736 | 780 |
| BP-C08-251-SRO4 | 1892 | 980 | 1835 | 1729 | 572 | 605 | 2517 | 1368 | 2726 | 1729 | 572 | 605 | 3141 | 1756 | 3617 | 1729 | 572 | 605 |
| BP-C08-251-SRO5 | | | | | | | 2342 | 1204 | 2227 | 2227 | 736 | 780 | 2967 | 1591 | 3118 | 2227 | 736 | 780 |
| BP-C08-251-SRO6 | | | | | | | | | | | | | 2787 | 1422 | 2606 | 2740 | 906 | 959 |
| BP-C08-281-SRO4 | 2367 | 1219 | 2262 | 2227 | 736 | 780 | 3153 | 1707 | 3385 | 2227 | 736 | 780 | 3940 | 2196 | 4507 | 2227 | 736 | 780 |
| BP-C08-281-SRO5 | | | | | | | 2974 | 1538 | 2872 | 2740 | 906 | 959 | 3761 | 2027 | 3994 | 2740 | 906 | 959 |
| BP-C08-281-SRO6 | | | | | | | | | | | | | 3541 | 1819 | 3367 | 3367 | 1113 | 1179 |
| BP-C1-281-SRO4 | 2766 | 1422 | 2630 | 2630 | 869 | 921 | 3688 | 1994 | 3946 | 2630 | 869 | 921 | 4610 | 2567 | 5261 | 2630 | 869 | 921 |
| BP-C1-281-SRO5 | | | | | | | 3429 | 1750 | 3205 | 3371 | 1114 | 1180 | 4351 | 2322 | 4520 | 3371 | 1114 | 1180 |
| BP-C1-281-SRO6 | | | | | | | | | | | | | 4051 | 2039 | 3663 | 4228 | 1397 | 1480 |
| BP-C1-321-SRO4 | 3659 | 1893 | 3534 | 3371 | 1114 | 1180 | 4869 | 2645 | 5260 | 3371 | 1114 | 1180 | 6079 | 3396 | 6987 | 3371 | 1114 | 1180 |
| BP-C1-321-SRO5 | | | | | | | 4569 | 2361 | 4403 | 4228 | 1397 | 1480 | 5779 | 3113 | 6130 | 4228 | 1397 | 1480 |
| BP-C1-321-SRO6 | | | | | | | | | | | | | 5404 | 2759 | 5058 | 5300 | 1751 | 1855 |
| BP-C1-351-SRO4 | 4324 | 2209 | 4054 | 4228 | 1397 | 1480 | 5776 | 3111 | 6124 | 4228 | 1397 | 1480 | 7227 | 4013 | 8195 | 4228 | 1397 | 1480 |
| BP-C1-351-SRO5 | | | | | | | 5400 | 2757 | 5052 | 5300 | 1751 | 1855 | 6851 | 3658 | 7123 | 5300 | 1751 | 1855 |
| BP-C1-351-SRO6 | | | | | | | | | | | | | 6432 | 3263 | 5926 | 6497 | 2147 | 2274 |
| BP-C1-401-SRO4 | 5750 | 2974 | 5551 | 5300 | 1751 | 1855 | 7651 | 4155 | 8263 | 5300 | 1751 | 1855 | 9552 | 5336 | 10976 | 5300 | 1751 | 1855 |
| BP-C1-401-SRO5 | | | | | | | 7232 | 3759 | 7066 | 6497 | 2147 | 2274 | 9133 | 4941 | 9779 | 6497 | 2147 | 2274 |
| BP-C1-401-SRO6 | | | | | | | | | | | | | 8559 | 4398 | 8138 | 8138 | 2689 | 2848 |
| BP-C2-401-SRO4 | 6808 | 3499 | 6473 | 6473 | 2139 | 2266 | 9076 | 4908 | 9710 | 6473 | 2139 | 2266 | 11345 | 6318 | 12947 | 6473 | 2139 | 2266 |
| BP-C2-401-SRO5 | | | | | | | 8487 | 4352 | 8028 | 8156 | 2695 | 2855 | 10756 | 5762 | 11264 | 8156 | 2695 | 2855 |
| BP-C2-401-SRO6 | | | | | | | | | | | | | 10110 | 5153 | 9420 | 10000 | 3304 | 3500 |

| Model | Air to Spring (4Bar) | | | Spring | | | Air to Spring (5Bar) | | | Spring | | | Air to Spring (6Bar) | | | Spring | | |
|-----------------|----------------------|-------|-------|--------|-------|-------|----------------------|-------|--------|--------|-------|-------|----------------------|-------|--------|--------|-------|-------|
| | 90° | 45° | 0° | 0° | 45° | 90° | 90° | 45° | 0° | 0° | 45° | 90° | 90° | 45° | 0° | 0° | 45° | 90° |
| BP-C2-451-SRO4 | 8667 | 4464 | 8285 | 8156 | 2695 | 2855 | 11548 | 6254 | 12395 | 8156 | 2695 | 2855 | 14429 | 8044 | 16505 | 8156 | 2695 | 2855 |
| BP-C2-451-SRO5 | | | | | | | 10903 | 5645 | 10551 | 10000 | 3304 | 3500 | 13783 | 7435 | 14661 | 10000 | 3304 | 3500 |
| BP-C2-451-SRO6 | | | | | | | | | | | | | 12967 | 6665 | 12330 | 12330 | 4074 | 4316 |
| BP-C3-451-SRO4 | 10317 | 5302 | 9810 | 9810 | 3242 | 3434 | 13755 | 7438 | 14715 | 9810 | 3242 | 3434 | 17192 | 9574 | 19620 | 9810 | 3242 | 3434 |
| BP-C3-451-SRO5 | | | | | | | 12896 | 6627 | 12263 | 12263 | 4052 | 4292 | 16334 | 8763 | 17168 | 12263 | 4052 | 4292 |
| BP-C3-451-SRO6 | | | | | | | | | | | | | 15309 | 7796 | 14239 | 15191 | 5020 | 5317 |
| BP-C3-501-SRO4 | 12742 | 6532 | 12043 | 12263 | 4052 | 4292 | 17001 | 9178 | 18120 | 12263 | 4052 | 4292 | 21259 | 11824 | 24196 | 12263 | 4052 | 4292 |
| BP-C3-501-SRO5 | | | | | | | 15976 | 8210 | 15191 | 15191 | 5020 | 5317 | 20234 | 10856 | 21267 | 15191 | 5020 | 5317 |
| BP-C3-501-SRO6 | | | | | | | | | | | | | 19144 | 9826 | 18152 | 18307 | 6050 | 6407 |
| BP-C3-561-SRO4 | 16114 | 8296 | 15388 | 15191 | 5020 | 5317 | 21472 | 11625 | 23033 | 15191 | 5020 | 5317 | 26830 | 14954 | 30678 | 15191 | 5020 | 5317 |
| BP-C3-561-SRO5 | | | | | | | 20381 | 10595 | 19917 | 18307 | 6050 | 6407 | 25739 | 13924 | 27562 | 18307 | 6050 | 6407 |
| BP-C3-561-SRO6 | | | | | | | | | | | | | 24456 | 12713 | 23896 | 21973 | 7261 | 7690 |
| BP-C3-631-SRO4 | 19587 | 9687 | 16948 | 21973 | 7261 | 7690 | 26406 | 13924 | 26678 | 21973 | 7261 | 7690 | 33225 | 18161 | 36408 | 21973 | 7261 | 7690 |
| BP-C3-631-SRO5 | | | | | | | 25225 | 12810 | 23305 | 25346 | 8376 | 88718 | 32044 | 17047 | 33035 | 25346 | 8376 | 8871 |
| BP-C3-631-SRO6 | | | | | | | | | | | | | 30699 | 15776 | 29191 | 29191 | 9646 | 10217 |
| BP-C4-631-SRO4 | 23968 | 12090 | 21759 | 24851 | 8206 | 8698 | 32134 | 17164 | 33411 | 24851 | 8206 | 8698 | 40300 | 22239 | 45063 | 24851 | 8206 | 8698 |
| BP-C4-631-SRO5 | | | | | | | 30375 | 15505 | 28386 | 29876 | 9866 | 10457 | 38542 | 20579 | 40038 | 29876 | 9866 | 10457 |
| BP-C4-631-SRO6 | | | | | | | | | | | | | 36389 | 18548 | 33888 | 36027 | 11897 | 12609 |
| BP-C4-701-SRO4 | 29941 | 15235 | 27767 | 29876 | 9866 | 10457 | 40041 | 21511 | 42177 | 29876 | 9866 | 10457 | 50140 | 27786 | 56588 | 29876 | 9866 | 10457 |
| BP-C4-701-SRO5 | | | | | | | 37888 | 19480 | 36027 | 36027 | 11897 | 12609 | 47988 | 25755 | 50437 | 36027 | 11897 | 12609 |
| BP-C4-701-SRO6 | | | | | | | | | | | | | 44783 | 22731 | 41280 | 45184 | 14921 | 15814 |
| BP-C4-801-SRO4 | 40247 | 20945 | 39392 | 36027 | 11897 | 12609 | 53461 | 29156 | 58247 | 36027 | 11897 | 12609 | 66675 | 37366 | 77102 | 36027 | 11897 | 12609 |
| BP-C4-801-SRO5 | | | | | | | 50256 | 26132 | 49090 | 45184 | 14921 | 15814 | 63470 | 34342 | 67945 | 45184 | 14921 | 15814 |
| BP-C4-801-SRO6 | | | | | | | | | | | | | 59487 | 30584 | 56564 | 56564 | 18679 | 19798 |
| BP-C5-801-SRO4 | 47584 | 24463 | 45246 | 45246 | 14943 | 15836 | 63439 | 34314 | 67869 | 45246 | 14943 | 15836 | 79294 | 44165 | 90492 | 45246 | 14943 | 15836 |
| BP-C5-801-SRO5 | | | | | | | 59200 | 30314 | 55758 | 57357 | 18943 | 20075 | 75055 | 40166 | 78381 | 57357 | 18943 | 20075 |
| BP-C5-801-SRO6 | | | | | | | | | | | | | 70706 | 36062 | 65956 | 69782 | 23046 | 24424 |
| BP-C5-901-SRO4 | 60321 | 31011 | 57357 | 57357 | 18943 | 20075 | 80420 | 43499 | 86036 | 57357 | 18943 | 20075 | 100518 | 55987 | 114714 | 57357 | 18943 | 20075 |
| BP-C5-901-SRO5 | | | | | | | 76071 | 39396 | 73611 | 69782 | 23046 | 24424 | 96170 | 51884 | 102290 | 69782 | 23046 | 24424 |
| BP-C5-901-SRO6 | | | | | | | | | | | | | 90481 | 46516 | 86036 | 86036 | 28414 | 30113 |
| BP-C6-801-SRO4 | 63904 | 32823 | 60764 | 60764 | 20097 | 21267 | 85197 | 46054 | 91146 | 60764 | 20097 | 21267 | 106489 | 59284 | 121528 | 60764 | 20097 | 21267 |
| BP-C6-801-SRO5 | | | | | | | 79490 | 40661 | 74843 | 77068 | 25490 | 26974 | 100783 | 53891 | 105225 | 77068 | 25490 | 26974 |
| BP-C6-801-SRO6 | | | | | | | | | | | | | 94040 | 47519 | 85958 | 96335 | 31862 | 33717 |
| BP-C6-901-SRO4 | 81050 | 41630 | 77068 | 77068 | 25490 | 26974 | 108055 | 58410 | 115602 | 77068 | 25490 | 26974 | 135061 | 75190 | 154136 | 77068 | 25490 | 26974 |
| BP-C6-901-SRO5 | | | | | | | 101312 | 52038 | 96335 | 96335 | 31862 | 33717 | 128318 | 68818 | 134869 | 96335 | 31862 | 33717 |
| BP-C6-901-SRO6 | | | | | | | | | | | | | 120346 | 61284 | 112092 | 119112 | 39396 | 41689 |
| BP-C6-1001-SRO4 | 99847 | 51127 | 94244 | 96335 | 31862 | 33717 | 133238 | 71875 | 141889 | 96335 | 31862 | 33717 | 166629 | 92622 | 189533 | 96335 | 31862 | 33717 |
| BP-C6-1001-SRO5 | | | | | | | 125266 | 64341 | 119112 | 119112 | 39396 | 41689 | 158657 | 85089 | 166756 | 119112 | 39396 | 41689 |
| BP-C6-1001-SRO6 | | | | | | | | | | | | | 150319 | 77210 | 142934 | 142934 | 47275 | 50027 |

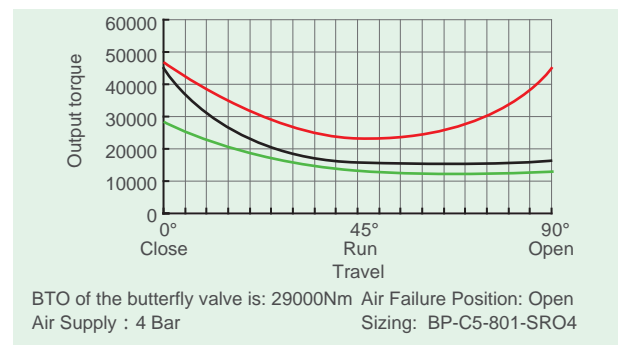
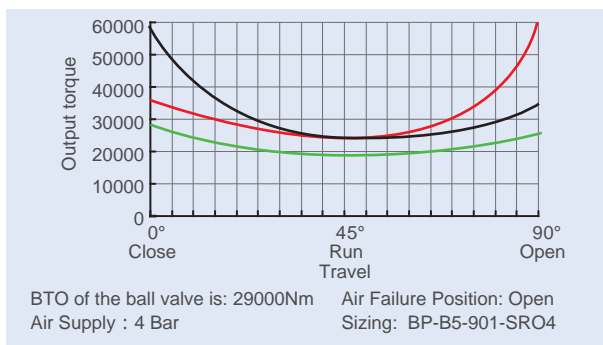
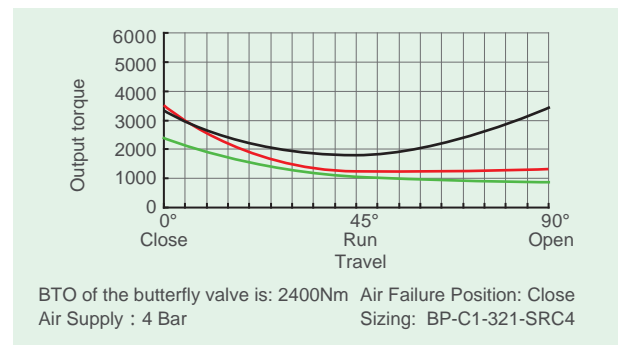
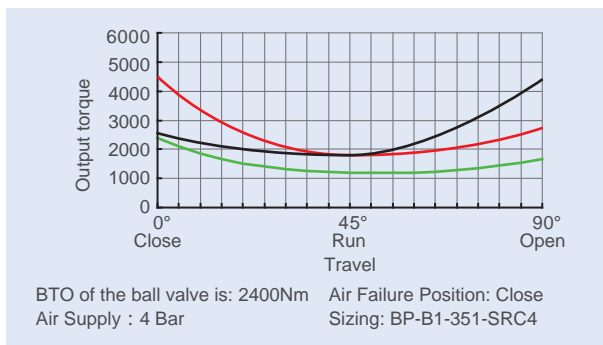
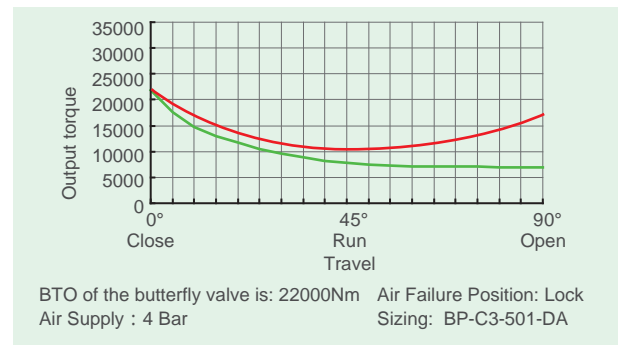
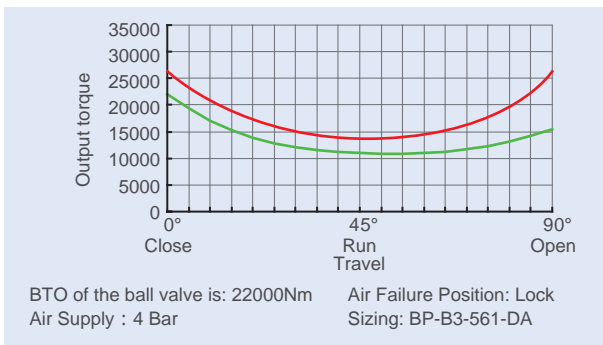
The torque of the springs can be customized to your needs.

Sizing

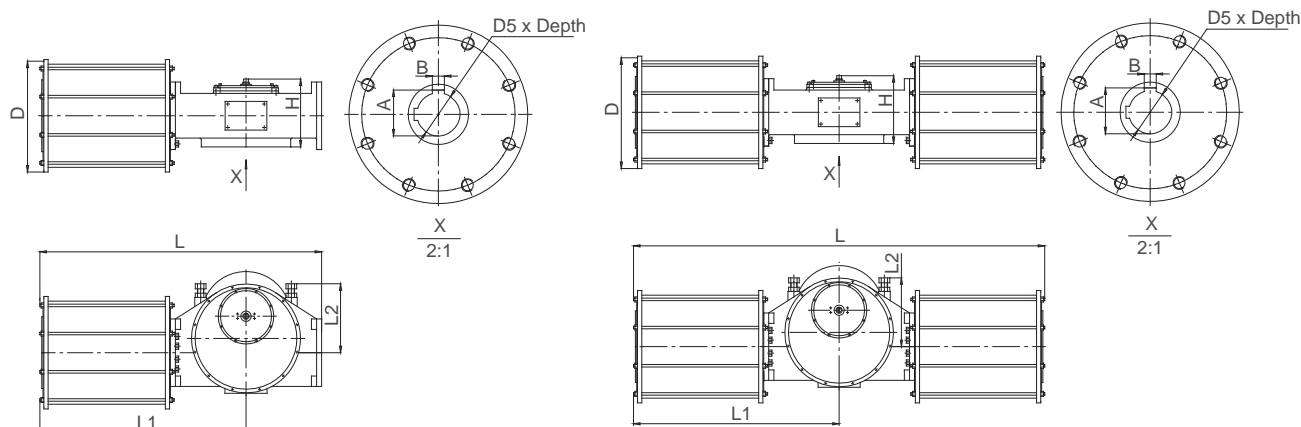
During selecting the actuators, we can choose the more reasonable and more economical actuators, if we know the different torque needed by the valve working at opening and operating.



■ Spring return operating curve
 ■ Air to spring operating curve
 ■ Ball valve (butterfly valve) operating curve



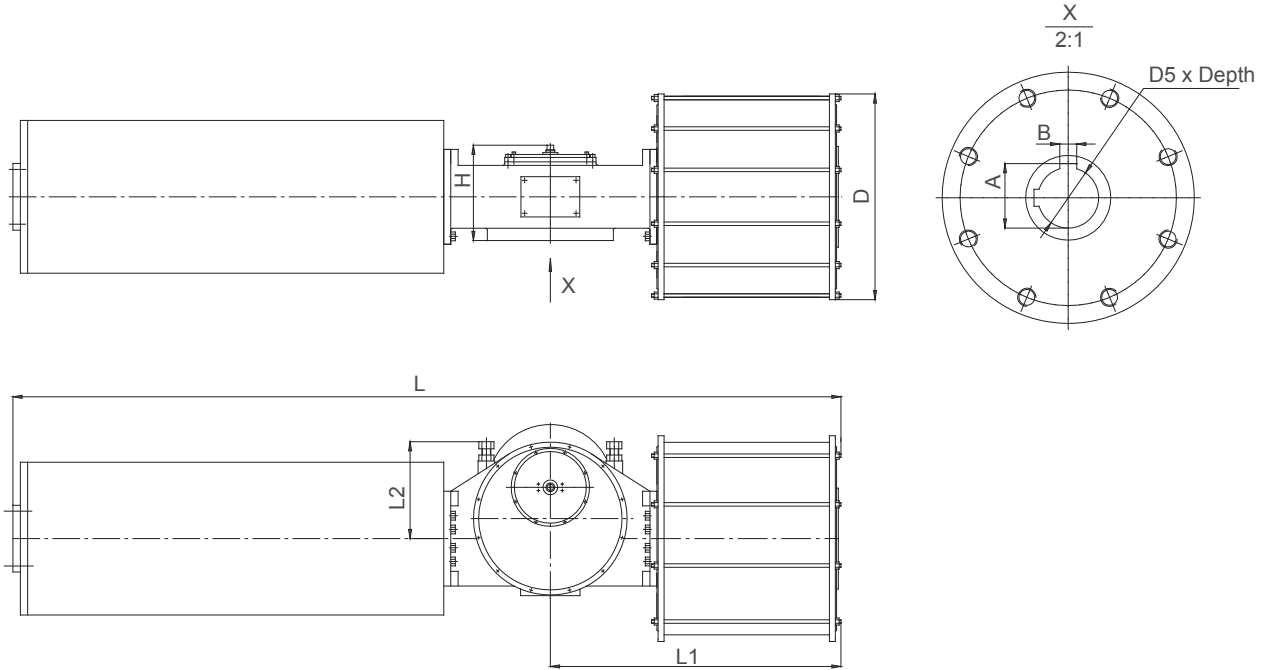
Dimension of BP-B(C) Series Double Acting Actuator



| Model | L | L1 | L2 | H | D | D5 | A | B | Connecting Flange | Air Connection |
|-----------------|------|------|-----|-----|---------|----------|-------|----|-------------------|----------------|
| | mm | | | | | | | | | |
| BP-B/C06-201-DA | 675 | 505 | 180 | 212 | 225*225 | Ø48*65 | 51.8 | 14 | F14 | 3/8"G(NPT) |
| BP-B/C08-221-DA | 815 | 605 | 200 | 237 | 250*250 | Ø60*100 | 64.4 | 18 | F16 | 1/2"G(NPT) |
| BP-B08-251-DA | 815 | 605 | 200 | 237 | 280*280 | Ø60*100 | 64.4 | 18 | F16 | 1/2"G(NPT) |
| BP-B/C1-281-DA | 925 | 680 | 225 | 246 | 310*310 | Ø72*120 | 76.9 | 20 | F25/F16 | 1/2"G(NPT) |
| BP-B/C1-321-DA | 905 | 660 | 225 | 246 | Ø395 | Ø72*120 | 76.9 | 20 | F25/F16 | 1/2"G(NPT) |
| BP-B1-351-DA | 905 | 660 | 225 | 246 | Ø430 | Ø72*120 | 76.9 | 20 | F25/F16 | 3/4"G(NPT) |
| BP-B/C2-351-DA | 1055 | 775 | 285 | 269 | Ø430 | Ø100*150 | 106.4 | 28 | F30/F25 | 3/4"G(NPT) |
| BP-B/C2-401-DA | 1055 | 775 | 285 | 269 | Ø500 | Ø100*150 | 106.4 | 28 | F30/F25 | 1"G(NPT) |
| BP-B/C2-451-DA | 1055 | 775 | 285 | 269 | Ø550 | Ø100*150 | 106.4 | 28 | F30/F25 | 1"G(NPT) |
| BP-B/C3-451-DA | 1250 | 915 | 330 | 310 | Ø550 | Ø160*200 | 169.4 | 40 | F35/F30 | 1"G(NPT) |
| BP-B/C3-501-DA | 1250 | 915 | 330 | 310 | Ø600 | Ø160*200 | 169.4 | 40 | F35/F30 | 1 1/4"G(NPT) |
| BP-B/C3-561-DA | 1250 | 915 | 330 | 310 | Ø660 | Ø160*200 | 169.4 | 40 | F35/F30 | 1 1/4"G(NPT) |
| BP-B3-601-DA | 1250 | 915 | 330 | 310 | Ø700 | Ø160*200 | 169.4 | 40 | F35/F30 | 1 1/4"G(NPT) |
| BP-C4-561-DA | 1450 | 1050 | 412 | 340 | Ø660 | Ø180*220 | 190.4 | 45 | F40 | 1 1/4"G(NPT) |
| BP-B/C4-601-DA | 1450 | 1050 | 412 | 340 | Ø700 | Ø180*220 | 190.4 | 45 | F40 | 1 1/4"G(NPT) |
| BP-B/C4-631-DA | 1450 | 1050 | 412 | 340 | Ø730 | Ø180*220 | 190.4 | 45 | F40 | 1 1/2"G(NPT) |
| BP-B/C4-701-DA | 1450 | 1050 | 412 | 340 | Ø810 | Ø180*220 | 190.4 | 45 | F40 | 1 1/2"G(NPT) |
| BP-B4-801-DA | 1450 | 1050 | 412 | 340 | Ø910 | Ø180*220 | 190.4 | 45 | F40 | 1 1/2"G(NPT) |
| BP-B/C4-502-DA | 2120 | 1050 | 412 | 340 | Ø600 | Ø180*220 | 190.4 | 45 | F40 | 1 1/4"G(NPT) |
| BP-B4-562-DA | 2120 | 1050 | 412 | 340 | Ø660 | Ø180*220 | 190.4 | 45 | F40 | 1 1/4"G(NPT) |
| BP-B/C5-701-DA | 1690 | 1230 | 486 | 420 | Ø810 | Ø220*250 | 231.4 | 50 | F48/F40 | 1 1/2"G(NPT) |
| BP-B/C5-801-DA | 1690 | 1230 | 486 | 420 | Ø910 | Ø220*250 | 231.4 | 50 | F48/F40 | 1 1/2"G(NPT) |
| BP-B/C5-901-DA | 1690 | 1230 | 486 | 420 | Ø1010 | Ø220*250 | 231.4 | 50 | F48/F40 | 2"G(NPT) |
| BP-B5-1001-DA | 1690 | 1230 | 486 | 420 | Ø1110 | Ø220*250 | 231.4 | 50 | F48/F40 | 2"G(NPT) |
| BP-B/C5-562-DA | 2456 | 1230 | 486 | 420 | Ø660 | Ø220*250 | 231.4 | 50 | F48/F40 | 1 1/4"G(NPT) |
| BP-B/C5-602-DA | 2456 | 1230 | 486 | 420 | Ø700 | Ø220*250 | 231.4 | 50 | F48/F40 | 1 1/4"G(NPT) |
| BP-B/C5-632-DA | 2456 | 1230 | 486 | 420 | Ø730 | Ø220*250 | 231.4 | 50 | F48/F40 | 1 1/2"G(NPT) |
| BP-B5-702-DA | 2456 | 1230 | 486 | 420 | Ø810 | Ø220*250 | 231.4 | 50 | F48/F40 | 1 1/2"G(NPT) |
| BP-C6-801-DA | 2145 | 1555 | 658 | 490 | Ø910 | Ø280*320 | 292.4 | 63 | F60/F48 | 1 1/2"G(NPT) |
| BP-B/C6-901-DA | 2145 | 1555 | 658 | 490 | Ø1010 | Ø280*320 | 292.4 | 63 | F60/F48 | 2"G(NPT) |
| BP-B/C6-1001-DA | 2145 | 1555 | 658 | 490 | Ø1110 | Ø280*320 | 292.4 | 63 | F60/F48 | 2"G(NPT) |
| BP-B/C6-702-DA | 3100 | 1555 | 658 | 490 | Ø810 | Ø280*320 | 292.4 | 63 | F60/F48 | 1 1/2"G(NPT) |
| BP-B/C6-802-DA | 3100 | 1555 | 658 | 490 | Ø910 | Ø280*320 | 292.4 | 63 | F60/F48 | 1 1/2"G(NPT) |
| BP-B6-902-DA | 3100 | 1555 | 658 | 490 | Ø1010 | Ø280*320 | 292.4 | 63 | F60/F48 | 2"G(NPT) |

The torque of the springs can be customized to your needs.

Dimension of BP-B FC(O) Series Spring Return Actuator

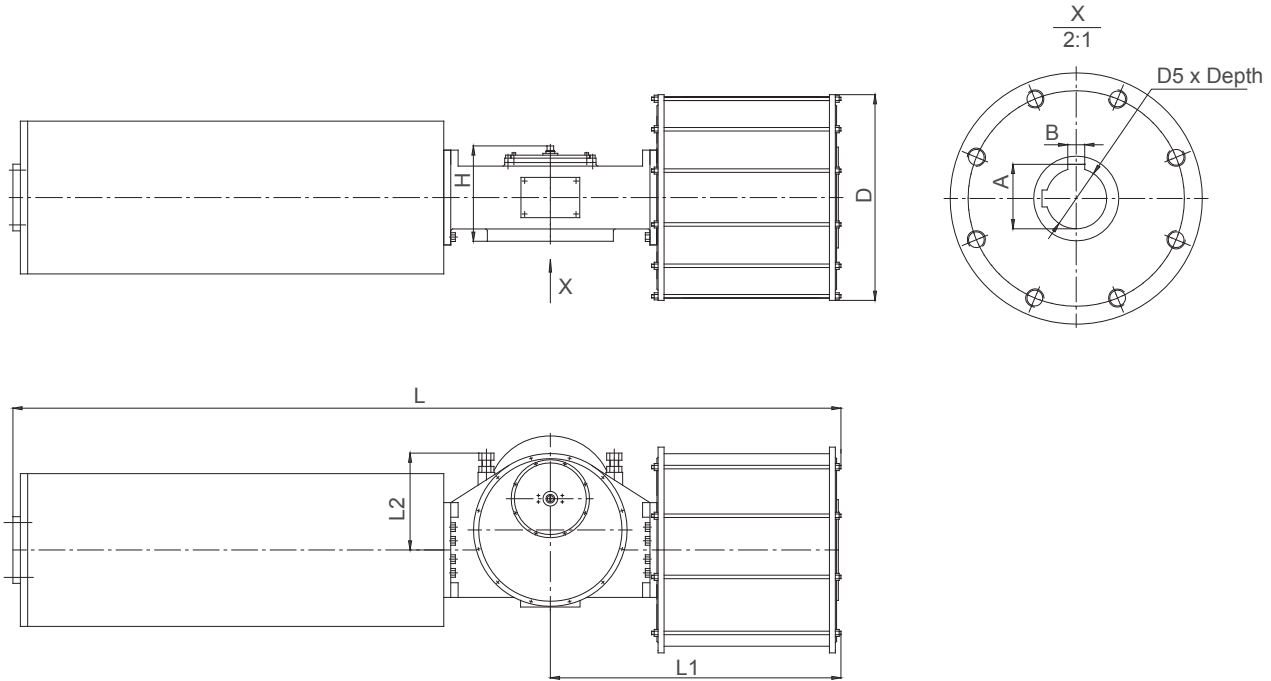


| Model | L | L1 | L2 | H | D | D5×Depth | A | B | Connecting Flange | Air Connection |
|-----------------|------|-----|-----|-----|------|----------|------|----|-------------------|----------------|
| | mm | | | | | | | | | |
| BP-B06-201-SRO4 | 1304 | 505 | 180 | 214 | □225 | Ø48x65 | 51.8 | 14 | F14 | 3/8"G(NPT) |
| BP-B06-201-SRO5 | 1354 | 505 | 180 | 214 | □225 | Ø48x65 | 51.8 | 14 | F14 | 3/8"G(NPT) |
| BP-B06-201-SRO6 | 1374 | 505 | 180 | 214 | □225 | Ø48x65 | 51.8 | 14 | F14 | 3/8"G(NPT) |
| BP-B06-221-SRO4 | 1354 | 515 | 180 | 214 | □250 | Ø48x65 | 51.8 | 14 | F14 | 1/2"G(NPT) |
| BP-B06-221-SRO5 | 1374 | 515 | 180 | 214 | □250 | Ø48x65 | 51.8 | 14 | F14 | 1/2"G(NPT) |
| BP-B06-221-SRO6 | 1324 | 515 | 180 | 214 | □250 | Ø48x65 | 51.8 | 14 | F14 | 1/2"G(NPT) |
| BP-B08-221-SRO4 | 1458 | 605 | 200 | 238 | □250 | Ø60x100 | 64.4 | 18 | F16 | 1/2"G(NPT) |
| BP-B08-221-SRO5 | 1488 | 605 | 200 | 238 | □250 | Ø60x100 | 64.4 | 18 | F16 | 1/2"G(NPT) |
| BP-B08-221-SRO6 | 1528 | 605 | 200 | 238 | □250 | Ø60x100 | 64.4 | 18 | F16 | 1/2"G(NPT) |
| BP-B08-251-SRO4 | 1488 | 605 | 200 | 238 | □280 | Ø60x100 | 64.4 | 18 | F16 | 1/2"G(NPT) |
| BP-B08-251-SRO5 | 1528 | 605 | 200 | 238 | □280 | Ø60x100 | 64.4 | 18 | F16 | 1/2"G(NPT) |
| BP-B08-251-SRO6 | 1528 | 605 | 200 | 238 | □280 | Ø60x100 | 64.4 | 18 | F16 | 1/2"G(NPT) |
| BP-B08-281-SRO4 | 1528 | 605 | 200 | 238 | □310 | Ø60x100 | 64.4 | 18 | F16 | 1/2"G(NPT) |
| BP-B08-281-SRO5 | 1528 | 605 | 200 | 238 | □310 | Ø60x100 | 64.4 | 18 | F16 | 1/2"G(NPT) |
| BP-B08-281-SRO6 | 1558 | 605 | 200 | 238 | □310 | Ø60x100 | 64.4 | 18 | F16 | 1/2"G(NPT) |
| BP-B1-281-SRO4 | 1660 | 680 | 225 | 245 | □310 | Ø72x120 | 76.9 | 20 | F25/F16 | 1/2"G(NPT) |
| BP-B1-281-SRO5 | 1690 | 680 | 225 | 245 | □310 | Ø72x120 | 76.9 | 20 | F25/F16 | 1/2"G(NPT) |
| BP-B1-281-SRO6 | 1710 | 680 | 225 | 245 | □310 | Ø72x120 | 76.9 | 20 | F25/F16 | 1/2"G(NPT) |
| BP-B1-321-SRO4 | 1670 | 660 | 225 | 245 | Ø395 | Ø72x120 | 76.9 | 20 | F25/F16 | 1/2"G(NPT) |
| BP-B1-321-SRO5 | 1690 | 660 | 225 | 245 | Ø395 | Ø72x120 | 76.9 | 20 | F25/F16 | 1/2"G(NPT) |
| BP-B1-321-SRO6 | 1710 | 660 | 225 | 245 | Ø395 | Ø72x120 | 76.9 | 20 | F25/F16 | 1/2"G(NPT) |
| BP-B1-351-SRO4 | 1690 | 660 | 225 | 245 | Ø430 | Ø72x120 | 76.9 | 20 | F25/F16 | 3/4"G(NPT) |
| BP-B1-351-SRO5 | 1710 | 660 | 225 | 245 | Ø430 | Ø72x120 | 76.9 | 20 | F25/F16 | 3/4"G(NPT) |
| BP-B1-351-SRO6 | 1730 | 660 | 225 | 245 | Ø430 | Ø72x120 | 76.9 | 20 | F25/F16 | 3/4"G(NPT) |

| Model | L | L1 | L2 | H | D | D5xDepth | A | B | Connecting Flange | Air Connection |
|-----------------|------|------|-----|-----|-------|----------|-------|----|-------------------|----------------|
| | mm | | | | | | | | ISO5211 | |
| BP-B1-401-SRO4 | 1710 | 660 | 225 | 245 | Ø500 | Ø72x120 | 76.9 | 20 | F25/F16 | 1"G(NPT) |
| BP-B1-401-SRO5 | 1730 | 660 | 225 | 245 | Ø500 | Ø72x120 | 76.9 | 20 | F25/F16 | 1"G(NPT) |
| BP-B1-401-SRO6 | 1770 | 660 | 225 | 245 | Ø500 | Ø72x120 | 76.9 | 20 | F25/F16 | 1"G(NPT) |
| BP-B2-401-SRO4 | 1915 | 775 | 285 | 269 | Ø500 | Ø100x150 | 106.4 | 28 | F30/F25 | 1"G(NPT) |
| BP-B2-401-SRO5 | 1965 | 775 | 285 | 269 | Ø500 | Ø100x150 | 106.4 | 28 | F30/F25 | 1"G(NPT) |
| BP-B2-401-SRO6 | 2025 | 775 | 285 | 269 | Ø500 | Ø100x150 | 106.4 | 28 | F30/F25 | 1"G(NPT) |
| BP-B2-451-SRO4 | 1965 | 775 | 285 | 269 | Ø550 | Ø100x150 | 106.4 | 28 | F30/F25 | 1"G(NPT) |
| BP-B2-451-SRO5 | 2025 | 775 | 285 | 269 | Ø550 | Ø100x150 | 106.4 | 28 | F30/F25 | 1"G(NPT) |
| BP-B2-451-SRO6 | 2045 | 775 | 285 | 269 | Ø550 | Ø100x150 | 106.4 | 28 | F30/F25 | 1"G(NPT) |
| BP-B3-451-SRO4 | 2223 | 915 | 345 | 310 | Ø550 | Ø160x200 | 169.4 | 40 | F35/F30 | 1"G(NPT) |
| BP-B3-451-SRO5 | 2243 | 915 | 345 | 310 | Ø550 | Ø160x200 | 169.4 | 40 | F35/F30 | 1"G(NPT) |
| BP-B3-451-SRO6 | 2263 | 915 | 345 | 310 | Ø550 | Ø160x200 | 169.4 | 40 | F35/F30 | 1"G(NPT) |
| BP-B3-501-SRO4 | 2243 | 915 | 345 | 310 | Ø600 | Ø160x200 | 169.4 | 40 | F35/F30 | 1 1/4"G(NPT) |
| BP-B3-501-SRO5 | 2263 | 915 | 345 | 310 | Ø600 | Ø160x200 | 169.4 | 40 | F35/F30 | 1 1/4"G(NPT) |
| BP-B3-501-SRO6 | 2323 | 915 | 345 | 310 | Ø600 | Ø160x200 | 169.4 | 40 | F35/F30 | 1 1/4"G(NPT) |
| BP-B3-561-SRO4 | 2263 | 915 | 345 | 310 | Ø660 | Ø160x200 | 169.4 | 40 | F35/F30 | 1 1/4"G(NPT) |
| BP-B3-561-SRO5 | 2323 | 915 | 345 | 310 | Ø660 | Ø160x200 | 169.4 | 40 | F35/F30 | 1 1/4"G(NPT) |
| BP-B3-561-SRO6 | 2383 | 915 | 345 | 310 | Ø660 | Ø160x200 | 169.4 | 40 | F35/F30 | 1 1/4"G(NPT) |
| BP-B3-631-SRO4 | 2383 | 915 | 345 | 310 | Ø730 | Ø160x200 | 169.4 | 40 | F35/F30 | 1 1/2"G(NPT) |
| BP-B3-631-SRO5 | 2383 | 915 | 345 | 310 | Ø730 | Ø160x200 | 169.4 | 40 | F35/F30 | 1 1/2"G(NPT) |
| BP-B3-631-SRO6 | 2423 | 915 | 345 | 310 | Ø730 | Ø160x200 | 169.4 | 40 | F35/F30 | 1 1/2"G(NPT) |
| BP-B4-631-SRO4 | 2784 | 1050 | 412 | 340 | Ø730 | Ø180x220 | 190.4 | 45 | F40 | 1 1/2"G(NPT) |
| BP-B4-631-SRO5 | 2784 | 1050 | 412 | 340 | Ø730 | Ø180x220 | 190.4 | 45 | F40 | 1 1/2"G(NPT) |
| BP-B4-631-SRO6 | 2924 | 1050 | 412 | 340 | Ø730 | Ø180x220 | 190.4 | 45 | F40 | 1 1/2"G(NPT) |
| BP-B4-701-SRO4 | 2784 | 1050 | 412 | 340 | Ø810 | Ø180x220 | 190.4 | 45 | F40 | 1 1/2"G(NPT) |
| BP-B4-701-SRO5 | 2924 | 1050 | 412 | 340 | Ø810 | Ø180x220 | 190.4 | 45 | F40 | 1 1/2"G(NPT) |
| BP-B4-701-SRO6 | 3014 | 1050 | 412 | 340 | Ø810 | Ø180x220 | 190.4 | 45 | F40 | 1 1/2"G(NPT) |
| BP-B4-801-SRO4 | 2924 | 1050 | 412 | 340 | Ø910 | Ø180x220 | 190.4 | 45 | F40 | 1 1/2"G(NPT) |
| BP-B4-801-SRO5 | 3014 | 1050 | 412 | 340 | Ø910 | Ø180x220 | 190.4 | 45 | F40 | 1 1/2"G(NPT) |
| BP-B4-801-SRO6 | 3100 | 1050 | 412 | 340 | Ø910 | Ø180x220 | 190.4 | 45 | F40 | 1 1/2"G(NPT) |
| BP-B5-801-SRO4 | 3273 | 1230 | 486 | 420 | Ø910 | Ø220x250 | 231.4 | 50 | F48/F40 | 1 1/2"G(NPT) |
| BP-B5-801-SRO5 | 3333 | 1230 | 486 | 420 | Ø910 | Ø220x250 | 231.4 | 50 | F48/F40 | 1 1/2"G(NPT) |
| BP-B5-801-SRO6 | 3453 | 1230 | 486 | 420 | Ø910 | Ø220x250 | 231.4 | 50 | F48/F40 | 1 1/2"G(NPT) |
| BP-B5-901-SRO4 | 3333 | 1230 | 486 | 420 | Ø1010 | Ø220x250 | 231.4 | 50 | F48/F40 | 2"G(NPT) |
| BP-B5-901-SRO5 | 3453 | 1230 | 486 | 420 | Ø1010 | Ø220x250 | 231.4 | 50 | F48/F40 | 2"G(NPT) |
| BP-B5-901-SRO6 | 3613 | 1230 | 486 | 420 | Ø1010 | Ø220x250 | 231.4 | 50 | F48/F40 | 2"G(NPT) |
| BP-B6-801-SRO4 | 4070 | 1555 | 658 | 490 | Ø910 | Ø280x320 | 292.4 | 63 | F60/F48 | 1 1/2"G(NPT) |
| BP-B6-801-SRO5 | 4200 | 1555 | 658 | 490 | Ø910 | Ø280x320 | 292.4 | 63 | F60/F48 | 1 1/2"G(NPT) |
| BP-B6-801-SRO6 | 4260 | 1555 | 658 | 490 | Ø910 | Ø280x320 | 292.4 | 63 | F60/F48 | 1 1/2"G(NPT) |
| BP-B6-901-SRO4 | 4200 | 1555 | 658 | 490 | Ø1010 | Ø280x320 | 292.4 | 63 | F60/F48 | 2"G(NPT) |
| BP-B6-901-SRO5 | 4260 | 1555 | 658 | 490 | Ø1010 | Ø280x320 | 292.4 | 63 | F60/F48 | 2"G(NPT) |
| BP-B6-901-SRO6 | 4320 | 1555 | 658 | 490 | Ø1010 | Ø280x320 | 292.4 | 63 | F60/F48 | 2"G(NPT) |
| BP-B6-1001-SRO4 | 4260 | 1555 | 658 | 490 | Ø1110 | Ø280x320 | 292.4 | 63 | F60/F48 | 2"G(NPT) |
| BP-B6-1001-SRO5 | 4320 | 1555 | 658 | 490 | Ø1110 | Ø280x320 | 292.4 | 63 | F60/F48 | 2"G(NPT) |
| BP-B6-1001-SRO6 | 4380 | 1555 | 658 | 490 | Ø1110 | Ø280x320 | 292.4 | 63 | F60/F48 | 2"G(NPT) |

The torque of the springs can be customized to your needs.

Dimension of BP-C (FC)Series Spring Return Actuator

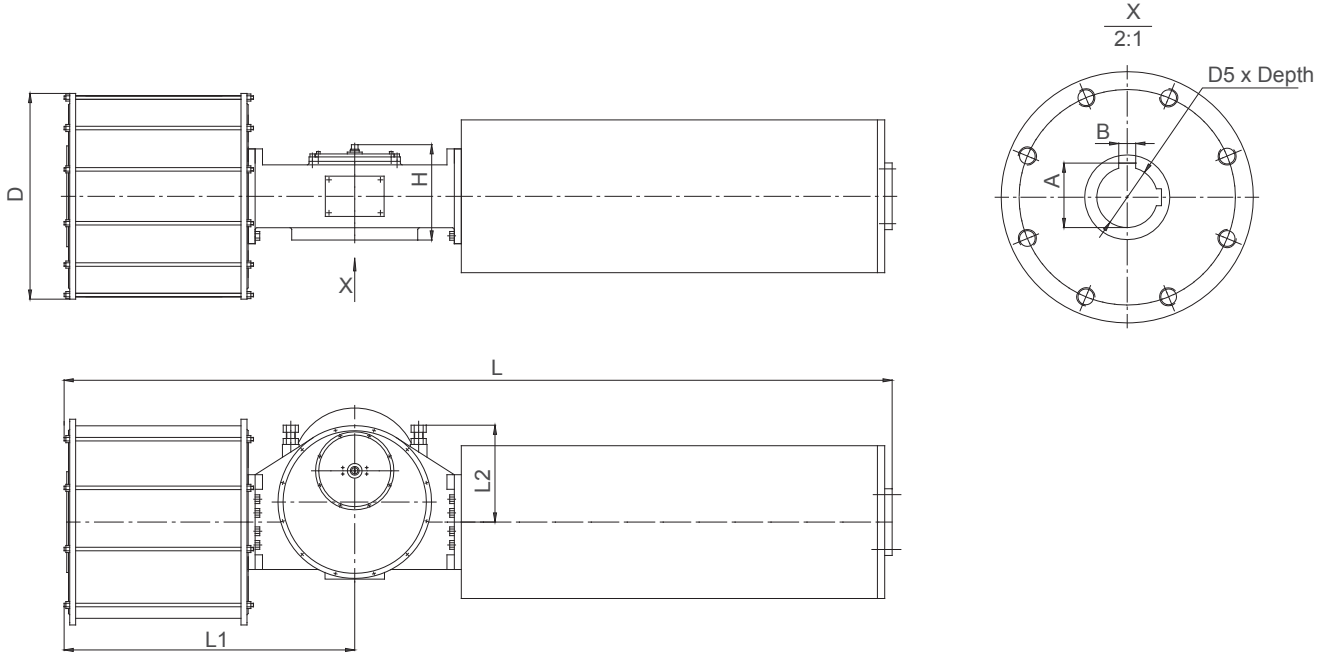


| Model | L | L1 | L2 | H | D | D5×Depth | A | B | Connecting Flange | Air Connection |
|-----------------|------|-----|-----|-----|------|----------|------|----|-------------------|----------------|
| | | | | | | | | | ISO5211 | |
| mm | | | | | | | | | | |
| BP-C06-201-SRC4 | 1323 | 505 | 180 | 214 | □225 | Ø48x65 | 51.8 | 14 | F14 | 3/8"G(NPT) |
| BP-C06-201-SRC5 | 1343 | 505 | 180 | 214 | □225 | Ø48x65 | 51.8 | 14 | F14 | 3/8"G(NPT) |
| BP-C06-201-SRC6 | 1383 | 505 | 180 | 214 | □225 | Ø48x65 | 51.8 | 14 | F14 | 3/8"G(NPT) |
| BP-C06-221-SRC4 | 1343 | 515 | 180 | 214 | □250 | Ø48x65 | 51.8 | 14 | F14 | 1/2"G(NPT) |
| BP-C06-221-SRC5 | 1383 | 515 | 180 | 214 | □250 | Ø48x65 | 51.8 | 14 | F14 | 1/2"G(NPT) |
| BP-C06-221-SRC6 | 1423 | 515 | 180 | 214 | □250 | Ø48x65 | 51.8 | 14 | F14 | 1/2"G(NPT) |
| BP-C08-221-SRC4 | 1487 | 605 | 200 | 238 | □250 | Ø60x100 | 64.4 | 18 | F16 | 1/2"G(NPT) |
| BP-C08-221-SRC5 | 1507 | 605 | 200 | 238 | □250 | Ø60x100 | 64.4 | 18 | F16 | 1/2"G(NPT) |
| BP-C08-221-SRC6 | 1527 | 605 | 200 | 238 | □250 | Ø60x100 | 64.4 | 18 | F16 | 1/2"G(NPT) |
| BP-C08-251-SRC4 | 1507 | 605 | 200 | 238 | □280 | Ø60x100 | 64.4 | 18 | F16 | 1/2"G(NPT) |
| BP-C08-251-SRC5 | 1527 | 605 | 200 | 238 | □280 | Ø60x100 | 64.4 | 18 | F16 | 1/2"G(NPT) |
| BP-C08-251-SRC6 | 1567 | 605 | 200 | 238 | □280 | Ø60x100 | 64.4 | 18 | F16 | 1/2"G(NPT) |
| BP-C08-281-SRC4 | 1527 | 605 | 200 | 238 | □310 | Ø60x100 | 64.4 | 18 | F16 | 1/2"G(NPT) |
| BP-C08-281-SRC5 | 1567 | 605 | 200 | 238 | □310 | Ø60x100 | 64.4 | 18 | F16 | 1/2"G(NPT) |
| BP-C08-281-SRC6 | 1597 | 605 | 200 | 238 | □310 | Ø60x100 | 64.4 | 18 | F16 | 1/2"G(NPT) |
| BP-C1-281-SRC4 | 1740 | 680 | 225 | 246 | □310 | Ø72x120 | 76.9 | 20 | F25/F16 | 1/2"G(NPT) |
| BP-C1-281-SRC5 | 1720 | 680 | 225 | 246 | □310 | Ø72x120 | 76.9 | 20 | F25/F16 | 1/2"G(NPT) |
| BP-C1-281-SRC6 | 1720 | 680 | 225 | 246 | □310 | Ø72x120 | 76.9 | 20 | F25/F16 | 1/2"G(NPT) |
| BP-C1-321-SRC4 | 1700 | 660 | 225 | 246 | Ø395 | Ø72x120 | 76.9 | 20 | F25/F16 | 1/2"G(NPT) |
| BP-C1-321-SRC5 | 1700 | 660 | 225 | 246 | Ø395 | Ø72x120 | 76.9 | 20 | F25/F16 | 1/2"G(NPT) |
| BP-C1-321-SRC6 | 1720 | 660 | 225 | 246 | Ø395 | Ø72x120 | 76.9 | 20 | F25/F16 | 1/2"G(NPT) |
| BP-C1-351-SRC4 | 1700 | 660 | 225 | 246 | Ø430 | Ø72x120 | 76.9 | 20 | F25/F16 | 3/4"G(NPT) |
| BP-C1-351-SRC5 | 1720 | 660 | 225 | 246 | Ø430 | Ø72x120 | 76.9 | 20 | F25/F16 | 3/4"G(NPT) |
| BP-C1-351-SRC6 | 1800 | 660 | 225 | 246 | Ø430 | Ø72x120 | 76.9 | 20 | F25/F16 | 3/4"G(NPT) |

| Model | L | L1 | L2 | H | D | D5xDepth | A | B | Connecting Flange | Air Connection |
|-----------------|------|------|-----|-----|-------|----------|-------|----|-------------------|----------------|
| | mm | | | | | | | | ISO5211 | |
| BP-C1-401-SRC4 | 1720 | 660 | 225 | 246 | Ø500 | Ø72x120 | 76.9 | 20 | F25/F16 | 1"G(NPT) |
| BP-C1-401-SRC5 | 1750 | 660 | 225 | 246 | Ø500 | Ø72x120 | 76.9 | 20 | F25/F16 | 1"G(NPT) |
| BP-C1-401-SRC6 | 1762 | 660 | 225 | 246 | Ø500 | Ø72x120 | 76.9 | 20 | F25/F16 | 1"G(NPT) |
| BP-C2-401-SRC4 | 1961 | 775 | 285 | 267 | Ø500 | Ø100x150 | 106.4 | 28 | F30/F25 | 1"G(NPT) |
| BP-C2-401-SRC5 | 1961 | 775 | 285 | 267 | Ø500 | Ø100x150 | 106.4 | 28 | F30/F25 | 1"G(NPT) |
| BP-C2-401-SRC6 | 1991 | 775 | 285 | 267 | Ø500 | Ø100x150 | 106.4 | 28 | F30/F25 | 1"G(NPT) |
| BP-C2-451-SRC4 | 1961 | 775 | 285 | 267 | Ø550 | Ø100x150 | 106.4 | 28 | F30/F25 | 1"G(NPT) |
| BP-C2-451-SRC5 | 1991 | 775 | 285 | 267 | Ø550 | Ø100x150 | 106.4 | 28 | F30/F25 | 1"G(NPT) |
| BP-C2-451-SRC6 | 2041 | 775 | 285 | 267 | Ø550 | Ø100x150 | 106.4 | 28 | F30/F25 | 1"G(NPT) |
| BP-C3-451-SRC4 | 2231 | 915 | 345 | 310 | Ø550 | Ø160x200 | 169.4 | 40 | F35/F30 | 1"G(NPT) |
| BP-C3-451-SRC5 | 2251 | 915 | 345 | 310 | Ø550 | Ø160x200 | 169.4 | 40 | F35/F30 | 1"G(NPT) |
| BP-C3-451-SRC6 | 2351 | 915 | 345 | 310 | Ø550 | Ø160x200 | 169.4 | 40 | F35/F30 | 1"G(NPT) |
| BP-C3-501-SRC4 | 2251 | 915 | 345 | 310 | Ø600 | Ø160x200 | 169.4 | 40 | F35/F30 | 1 1/4"G(NPT) |
| BP-C3-501-SRC5 | 2351 | 915 | 345 | 310 | Ø600 | Ø160x200 | 169.4 | 40 | F35/F30 | 1 1/4"G(NPT) |
| BP-C3-501-SRC6 | 2401 | 915 | 345 | 310 | Ø600 | Ø160x200 | 169.4 | 40 | F35/F30 | 1 1/4"G(NPT) |
| BP-C3-561-SRC4 | 2351 | 915 | 345 | 310 | Ø660 | Ø160x200 | 169.4 | 40 | F35/F30 | 1 1/4"G(NPT) |
| BP-C3-561-SRC5 | 2401 | 915 | 345 | 310 | Ø660 | Ø160x200 | 169.4 | 40 | F35/F30 | 1 1/4"G(NPT) |
| BP-C3-561-SRC6 | 2451 | 915 | 345 | 310 | Ø660 | Ø160x200 | 169.4 | 40 | F35/F30 | 1 1/4"G(NPT) |
| BP-C3-631-SRC4 | 2401 | 915 | 345 | 310 | Ø730 | Ø160x200 | 169.4 | 40 | F35/F30 | 1 1/2"G(NPT) |
| BP-C3-631-SRC5 | 2511 | 915 | 345 | 310 | Ø730 | Ø160x200 | 169.4 | 40 | F35/F30 | 1 1/2"G(NPT) |
| BP-C3-631-SRC6 | 2591 | 915 | 345 | 310 | Ø730 | Ø160x200 | 169.4 | 40 | F35/F30 | 1 1/2"G(NPT) |
| BP-C4-631-SRC4 | 2751 | 1050 | 412 | 340 | Ø730 | Ø180x220 | 190.4 | 45 | F40 | 1 1/2"G(NPT) |
| BP-C4-631-SRC5 | 2831 | 1050 | 412 | 340 | Ø730 | Ø180x220 | 190.4 | 45 | F40 | 1 1/2"G(NPT) |
| BP-C4-631-SRC6 | 2911 | 1050 | 412 | 340 | Ø730 | Ø180x220 | 190.4 | 45 | F40 | 1 1/2"G(NPT) |
| BP-C4-701-SRC4 | 2831 | 1050 | 412 | 340 | Ø810 | Ø180x220 | 190.4 | 45 | F40 | 1 1/2"G(NPT) |
| BP-C4-701-SRC5 | 2911 | 1050 | 412 | 340 | Ø810 | Ø180x220 | 190.4 | 45 | F40 | 1 1/2"G(NPT) |
| BP-C4-701-SRC6 | 2951 | 1050 | 412 | 340 | Ø810 | Ø180x220 | 190.4 | 45 | F40 | 1 1/2"G(NPT) |
| BP-C4-801-SRC4 | 2911 | 1050 | 412 | 340 | Ø910 | Ø180x220 | 190.4 | 45 | F40 | 1 1/2"G(NPT) |
| BP-C4-801-SRC5 | 2951 | 1050 | 412 | 340 | Ø910 | Ø180x220 | 190.4 | 45 | F40 | 1 1/2"G(NPT) |
| BP-C4-801-SRC6 | 3121 | 1050 | 412 | 340 | Ø910 | Ø180x220 | 190.4 | 45 | F40 | 1 1/2"G(NPT) |
| BP-C5-801-SRC4 | 3273 | 1230 | 486 | 420 | Ø910 | Ø220x250 | 231.4 | 50 | F48/F40 | 1 1/2"G(NPT) |
| BP-C5-801-SRC5 | 3493 | 1230 | 486 | 420 | Ø910 | Ø220x250 | 231.4 | 50 | F48/F40 | 1 1/2"G(NPT) |
| BP-C5-801-SRC6 | 3613 | 1230 | 486 | 420 | Ø910 | Ø220x250 | 231.4 | 50 | F48/F40 | 1 1/2"G(NPT) |
| BP-C5-901-SRC4 | 3493 | 1230 | 486 | 420 | Ø1010 | Ø220x250 | 231.4 | 50 | F48/F40 | 2"G(NPT) |
| BP-C5-901-SRC5 | 3613 | 1230 | 486 | 420 | Ø1010 | Ø220x250 | 231.4 | 50 | F48/F40 | 2"G(NPT) |
| BP-C5-901-SRC6 | 3773 | 1230 | 486 | 420 | Ø1010 | Ø220x250 | 231.4 | 50 | F48/F40 | 2"G(NPT) |
| BP-C6-801-SRC4 | 4050 | 1555 | 658 | 490 | Ø910 | Ø280x320 | 292.4 | 63 | F60/F48 | 1 1/2"G(NPT) |
| BP-C6-801-SRC5 | 4310 | 1555 | 658 | 490 | Ø910 | Ø280x320 | 292.4 | 63 | F60/F48 | 1 1/2"G(NPT) |
| BP-C6-801-SRC6 | 4320 | 1555 | 658 | 490 | Ø910 | Ø280x320 | 292.4 | 63 | F60/F48 | 1 1/2"G(NPT) |
| BP-C6-901-SRC4 | 4310 | 1555 | 658 | 490 | Ø1010 | Ø280x320 | 292.4 | 63 | F60/F48 | 2"G(NPT) |
| BP-C6-901-SRC5 | 4320 | 1555 | 658 | 490 | Ø1010 | Ø280x320 | 292.4 | 63 | F60/F48 | 2"G(NPT) |
| BP-C6-901-SRC6 | 4430 | 1555 | 658 | 490 | Ø1010 | Ø280x320 | 292.4 | 63 | F60/F48 | 2"G(NPT) |
| BP-C6-1001-SRC4 | 4320 | 1555 | 658 | 490 | Ø1110 | Ø280x320 | 292.4 | 63 | F60/F48 | 2"G(NPT) |
| BP-C6-1001-SRC5 | 4430 | 1555 | 658 | 490 | Ø1110 | Ø280x320 | 292.4 | 63 | F60/F48 | 2"G(NPT) |
| BP-C6-1001-SRC6 | 4600 | 1555 | 658 | 490 | Ø1110 | Ø280x320 | 292.4 | 63 | F60/F48 | 2"G(NPT) |

The torque of the springs can be customized to your needs.

Dimension of BP-C (FO)Series Spring Return Actuator



| Model | L | L1 | L2 | H | D | D5×Depth | A | B | Connecting Flange | Air Connection |
|-----------------|------|-----|-----|-----|------|----------|------|----|-------------------|----------------|
| | mm | | | | | | | | | |
| BP-C06-201-SRO4 | 1348 | 505 | 180 | 214 | □225 | Ø48x65 | 51.8 | 14 | F14 | 3/8"G(NPT) |
| BP-C06-201-SRO5 | 1298 | 505 | 180 | 214 | □225 | Ø48x65 | 51.8 | 14 | F14 | 3/8"G(NPT) |
| BP-C06-201-SRO6 | 1328 | 505 | 180 | 214 | □225 | Ø48x65 | 51.8 | 14 | F14 | 3/8"G(NPT) |
| BP-C06-221-SRO4 | 1298 | 515 | 180 | 214 | □250 | Ø48x65 | 51.8 | 14 | F14 | 1/2"G(NPT) |
| BP-C06-221-SRO5 | 1328 | 515 | 180 | 214 | □250 | Ø48x65 | 51.8 | 14 | F14 | 1/2"G(NPT) |
| BP-C06-221-SRO6 | 1348 | 515 | 180 | 214 | □250 | Ø48x65 | 51.8 | 14 | F14 | 1/2"G(NPT) |
| BP-C08-221-SRO4 | 1487 | 605 | 200 | 238 | □250 | Ø60x100 | 64.4 | 18 | F16 | 1/2"G(NPT) |
| BP-C08-221-SRO5 | 1487 | 605 | 200 | 238 | □250 | Ø60x100 | 64.4 | 18 | F16 | 1/2"G(NPT) |
| BP-C08-221-SRO6 | 1487 | 605 | 200 | 238 | □250 | Ø60x100 | 64.4 | 18 | F16 | 1/2"G(NPT) |
| BP-C08-251-SRO4 | 1487 | 605 | 200 | 238 | □280 | Ø60x100 | 64.4 | 18 | F16 | 1/2"G(NPT) |
| BP-C08-251-SRO5 | 1487 | 605 | 200 | 238 | □280 | Ø60x100 | 64.4 | 18 | F16 | 1/2"G(NPT) |
| BP-C08-251-SRO6 | 1507 | 605 | 200 | 238 | □280 | Ø60x100 | 64.4 | 18 | F16 | 1/2"G(NPT) |
| BP-C08-281-SRO4 | 1487 | 605 | 200 | 238 | □310 | Ø60x100 | 64.4 | 18 | F16 | 1/2"G(NPT) |
| BP-C08-281-SRO5 | 1507 | 605 | 200 | 238 | □310 | Ø60x100 | 64.4 | 18 | F16 | 1/2"G(NPT) |
| BP-C08-281-SRO6 | 1537 | 605 | 200 | 238 | □310 | Ø60x100 | 64.4 | 18 | F16 | 1/2"G(NPT) |
| BP-C1-281-SRO4 | 1680 | 680 | 225 | 246 | □310 | Ø72x120 | 76.9 | 20 | F25/F16 | 1/2"G(NPT) |
| BP-C1-281-SRO5 | 1680 | 680 | 225 | 246 | □310 | Ø72x120 | 76.9 | 20 | F25/F16 | 1/2"G(NPT) |
| BP-C1-281-SRO6 | 1680 | 680 | 225 | 246 | □310 | Ø72x120 | 76.9 | 20 | F25/F16 | 1/2"G(NPT) |
| BP-C1-321-SRO4 | 1660 | 660 | 225 | 246 | Ø395 | Ø72x120 | 76.9 | 20 | F25/F16 | 1/2"G(NPT) |
| BP-C1-321-SRO5 | 1660 | 660 | 225 | 246 | Ø395 | Ø72x120 | 76.9 | 20 | F25/F16 | 1/2"G(NPT) |
| BP-C1-321-SRO6 | 1710 | 660 | 225 | 246 | Ø395 | Ø72x120 | 76.9 | 20 | F25/F16 | 1/2"G(NPT) |
| BP-C1-351-SRO4 | 1660 | 660 | 225 | 246 | Ø430 | Ø72x120 | 76.9 | 20 | F25/F16 | 3/4"G(NPT) |
| BP-C1-351-SRO5 | 1710 | 660 | 225 | 246 | Ø430 | Ø72x120 | 76.9 | 20 | F25/F16 | 3/4"G(NPT) |
| BP-C1-351-SRO6 | 1710 | 660 | 225 | 246 | Ø430 | Ø72x120 | 76.9 | 20 | F25/F16 | 3/4"G(NPT) |

| Model | L | L1 | L2 | H | D | D5×Depth | A | B | Connecting Flange | Air Connection |
|-----------------|------|------|-----|-----|-------|----------|-------|----|-------------------|----------------|
| | mm | | | | | | | | ISO5211 | |
| BP-C1-401-SRO4 | 1710 | 660 | 225 | 246 | Ø500 | Ø72x120 | 76.9 | 20 | F25/F16 | 1"G(NPT) |
| BP-C1-401-SRO5 | 1710 | 660 | 225 | 246 | Ø500 | Ø72x120 | 76.9 | 20 | F25/F16 | 1"G(NPT) |
| BP-C1-401-SRO6 | 1730 | 660 | 225 | 246 | Ø500 | Ø72x120 | 76.9 | 20 | F25/F16 | 1"G(NPT) |
| BP-C2-401-SRO4 | 1898 | 775 | 285 | 269 | Ø500 | Ø100x150 | 106.4 | 28 | F30/F25 | 1"G(NPT) |
| BP-C2-401-SRO5 | 1928 | 775 | 285 | 269 | Ø500 | Ø100x150 | 106.4 | 28 | F30/F25 | 1"G(NPT) |
| BP-C2-401-SRO6 | 1948 | 775 | 285 | 269 | Ø500 | Ø100x150 | 106.4 | 28 | F30/F25 | 1"G(NPT) |
| BP-C2-451-SRO4 | 1928 | 775 | 285 | 269 | Ø550 | Ø100x150 | 106.4 | 28 | F30/F25 | 1"G(NPT) |
| BP-C2-451-SRO5 | 1948 | 775 | 285 | 269 | Ø550 | Ø100x150 | 106.4 | 28 | F30/F25 | 1"G(NPT) |
| BP-C2-451-SRO6 | 1948 | 775 | 285 | 269 | Ø550 | Ø100x150 | 106.4 | 28 | F30/F25 | 1"G(NPT) |
| BP-C3-451-SRO4 | 2143 | 915 | 345 | 310 | Ø550 | Ø160x200 | 169.4 | 40 | F35/F30 | 1"G(NPT) |
| BP-C3-451-SRO5 | 2193 | 915 | 345 | 310 | Ø550 | Ø160x200 | 169.4 | 40 | F35/F30 | 1"G(NPT) |
| BP-C3-451-SRO6 | 2193 | 915 | 345 | 310 | Ø550 | Ø160x200 | 169.4 | 40 | F35/F30 | 1"G(NPT) |
| BP-C3-501-SRO4 | 2193 | 915 | 345 | 310 | Ø600 | Ø160x200 | 169.4 | 40 | F35/F30 | 1 1/4"G(NPT) |
| BP-C3-501-SRO5 | 2193 | 915 | 345 | 310 | Ø600 | Ø160x200 | 169.4 | 40 | F35/F30 | 1 1/4"G(NPT) |
| BP-C3-501-SRO6 | 2243 | 915 | 345 | 310 | Ø600 | Ø160x200 | 169.4 | 40 | F35/F30 | 1 1/4"G(NPT) |
| BP-C3-561-SRO4 | 2193 | 915 | 345 | 310 | Ø660 | Ø160x200 | 169.4 | 40 | F35/F30 | 1 1/4"G(NPT) |
| BP-C3-561-SRO5 | 2243 | 915 | 345 | 310 | Ø660 | Ø160x200 | 169.4 | 40 | F35/F30 | 1 1/4"G(NPT) |
| BP-C3-561-SRO6 | 2273 | 915 | 345 | 310 | Ø660 | Ø160x200 | 169.4 | 40 | F35/F30 | 1 1/4"G(NPT) |
| BP-C3-631-SRO4 | 2273 | 915 | 345 | 310 | Ø730 | Ø160x200 | 169.4 | 40 | F35/F30 | 1 1/2"G(NPT) |
| BP-C3-631-SRO5 | 2323 | 915 | 345 | 310 | Ø730 | Ø160x200 | 169.4 | 40 | F35/F30 | 1 1/2"G(NPT) |
| BP-C3-631-SRO6 | 2373 | 915 | 345 | 310 | Ø730 | Ø160x200 | 169.4 | 40 | F35/F30 | 1 1/2"G(NPT) |
| BP-C4-631-SRO4 | 2667 | 1050 | 412 | 340 | Ø730 | Ø180x220 | 190.4 | 45 | F40 | 1 1/2"G(NPT) |
| BP-C4-631-SRO5 | 2693 | 1050 | 412 | 340 | Ø730 | Ø180x220 | 190.4 | 45 | F40 | 1 1/2"G(NPT) |
| BP-C4-631-SRO6 | 2763 | 1050 | 412 | 340 | Ø730 | Ø180x220 | 190.4 | 45 | F40 | 1 1/2"G(NPT) |
| BP-C4-701-SRO4 | 2693 | 1050 | 412 | 340 | Ø810 | Ø180x220 | 190.4 | 45 | F40 | 1 1/2"G(NPT) |
| BP-C4-701-SRO5 | 2763 | 1050 | 412 | 340 | Ø810 | Ø180x220 | 190.4 | 45 | F40 | 1 1/2"G(NPT) |
| BP-C4-701-SRO6 | 2843 | 1050 | 412 | 340 | Ø810 | Ø180x220 | 190.4 | 45 | F40 | 1 1/2"G(NPT) |
| BP-C4-801-SRO4 | 2763 | 1050 | 412 | 340 | Ø910 | Ø180x220 | 190.4 | 45 | F40 | 1 1/2"G(NPT) |
| BP-C4-801-SRO5 | 2843 | 1050 | 412 | 340 | Ø910 | Ø180x220 | 190.4 | 45 | F40 | 1 1/2"G(NPT) |
| BP-C4-801-SRO6 | 2973 | 1050 | 412 | 340 | Ø910 | Ø180x220 | 190.4 | 45 | F40 | 1 1/2"G(NPT) |
| BP-C5-801-SRO4 | 3176 | 1230 | 486 | 420 | Ø910 | Ø220x250 | 231.4 | 50 | F48/F40 | 1 1/2"G(NPT) |
| BP-C5-801-SRO5 | 3236 | 1230 | 486 | 420 | Ø910 | Ø220x250 | 231.4 | 50 | F48/F40 | 1 1/2"G(NPT) |
| BP-C5-801-SRO6 | 3296 | 1230 | 486 | 420 | Ø910 | Ø220x250 | 231.4 | 50 | F48/F40 | 1 1/2"G(NPT) |
| BP-C5-901-SRO4 | 3236 | 1230 | 486 | 420 | Ø1010 | Ø220x250 | 231.4 | 50 | F48/F40 | 2"G(NPT) |
| BP-C5-901-SRO5 | 3296 | 1230 | 486 | 420 | Ø1010 | Ø220x250 | 231.4 | 50 | F48/F40 | 2"G(NPT) |
| BP-C5-901-SRO6 | 3386 | 1230 | 486 | 420 | Ø1010 | Ø220x250 | 231.4 | 50 | F48/F40 | 2"G(NPT) |
| BP-C6-801-SRO4 | 4092 | 1555 | 658 | 490 | Ø910 | Ø280x320 | 292.4 | 63 | F60/F48 | 1 1/2"G(NPT) |
| BP-C6-801-SRO5 | 4167 | 1555 | 658 | 490 | Ø910 | Ø280x320 | 292.4 | 63 | F60/F48 | 1 1/2"G(NPT) |
| BP-C6-801-SRO6 | 4177 | 1555 | 658 | 490 | Ø910 | Ø280x320 | 292.4 | 63 | F60/F48 | 1 1/2"G(NPT) |
| BP-C6-901-SRO4 | 4167 | 1555 | 658 | 490 | Ø1010 | Ø280x320 | 292.4 | 63 | F60/F48 | 2"G(NPT) |
| BP-C6-901-SRO5 | 4177 | 1555 | 658 | 490 | Ø1010 | Ø280x320 | 292.4 | 63 | F60/F48 | 2"G(NPT) |
| BP-C6-901-SRO6 | 4087 | 1555 | 658 | 490 | Ø1010 | Ø280x320 | 292.4 | 63 | F60/F48 | 2"G(NPT) |
| BP-C6-1001-SRO4 | 4177 | 1555 | 658 | 490 | Ø1110 | Ø280x320 | 292.4 | 63 | F60/F48 | 2"G(NPT) |
| BP-C6-1001-SRO5 | 4087 | 1555 | 658 | 490 | Ø1110 | Ø280x320 | 292.4 | 63 | F60/F48 | 2"G(NPT) |
| BP-C6-1001-SRO6 | 4247 | 1555 | 658 | 490 | Ø1110 | Ø280x320 | 292.4 | 63 | F60/F48 | 2"G(NPT) |

The torque of the springs can be customized to your needs.



Moving with Strength and Direction!

Email: info@bloomfoss.com

Website: www.bloomfoss.com

Singapore Office

10 Tampines North Drive 4

#06-01/02 JTC Space @ Tampines North

Singapore 528553

Singapore Factory

10 Tampines North Drive 4

#01-01 JTC Space @ Tampines North

Singapore 528553

